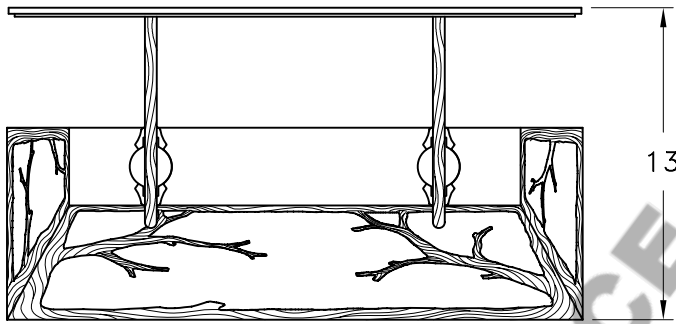
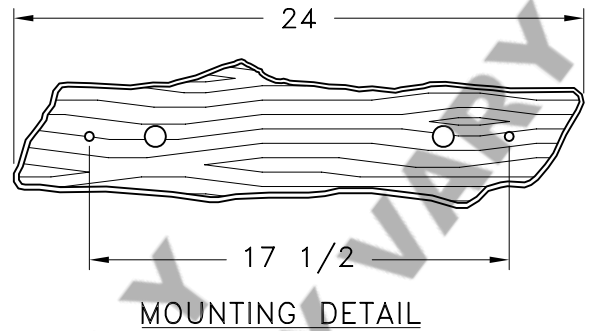
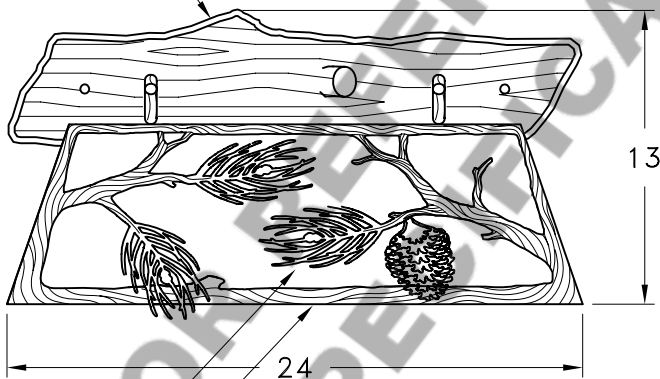


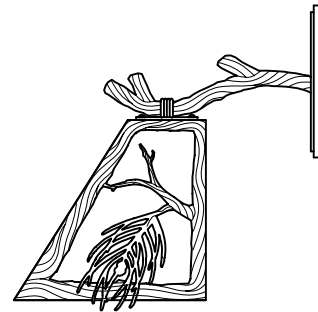
HAMMERTON



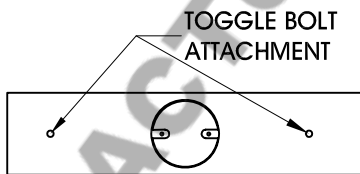
FLAT MOUNT



MICA
OPEN BOTTOM

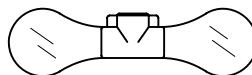


MOUNTING SPECIFICATION NOTES:



CAUTION
HARDWARE PACKET "F" MOUNTS
USING TOGGLE BOLTS

ELECTRICAL SPECIFICATION NOTES:



ELECTRICAL: 2-60 WATT MAX
EDISON BASE
120v TYPICAL

Light Bulb NOT Included

CATALOG # VL7053-PN-M

APPROXIMATE WEIGHT: 25 Lbs.

HARDWARE PACKET: F

SHADE MATERIAL : MICA

UL RATING: DAMP

DIMENSION TOLERANCE ± 7/8".

www.hammerton.com

© Copyright 2006, All rights in design, detail or invention of this drawing are reserved as the property of Hammerton. Any imitation or adaptation without written consent is strictly prohibited.