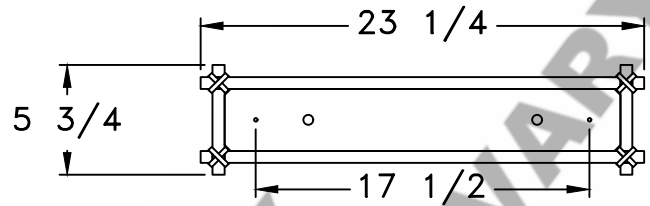


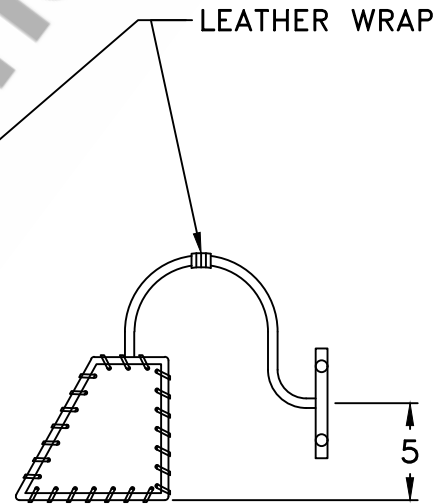
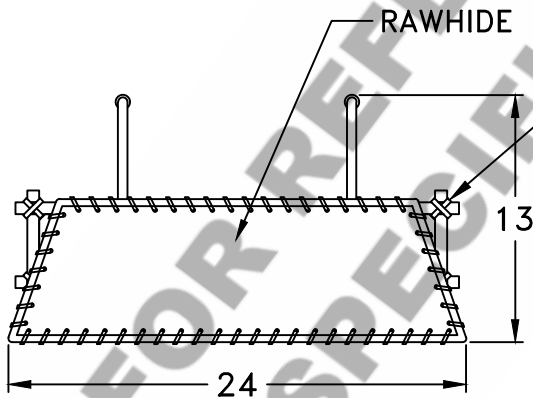
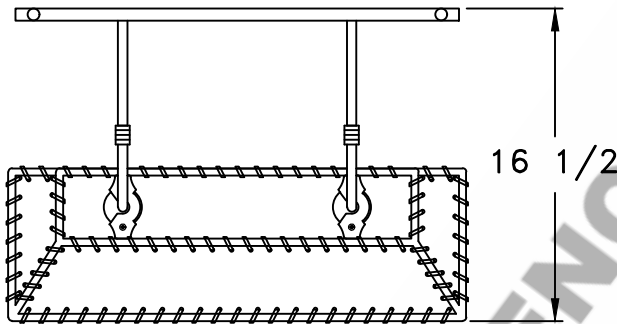
Approved By:

Product #: VL5012-M

Date: 10/9/2023



MOUNTING

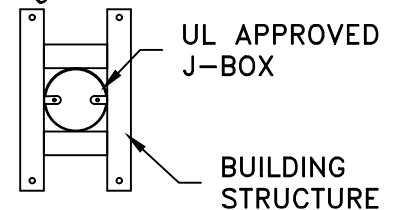


Finish Note: Due to the nature of our hand-applied premium artisan finishes and materials used in product construction, subtle variations may be present within each product.

DIMENSIONS MAY VARY BY $\pm \frac{7}{8}$ " UNLESS OTHERWISE SPECIFIED

Mounting Style: N/A	Electrical Type: LED RETRO FIT
Approximate lbs.: 5 TO 35	Bulb Qty: 2 Wattage: 13
Finish: SEE TRAVELER	Voltage: 120
Top Diffuser: CLOSED	Socket Type: MEDIUM
Bottom Diffuser: OPEN	UL Location: DRY

Mounting Detail



CAUTION

WALL CUSTOM HARDWARE PACKET MOUNTS DIRECTLY TO BUILDING STRUCTURE.

All fixtures created by Hammerton are handcrafted by artisans—dimensions may vary.

©Copyright 2023. All rights in design, detail or invention of this drawing are reserved as the property of Hammerton. Any imitation or adaptation without written consent is strictly prohibited.

Hammerton Inc. • 217 Wright Brothers Dr. • Salt Lake City, UT 84116 • (801) 973-8095