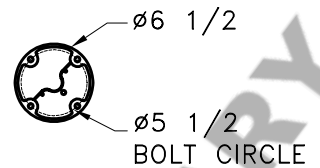
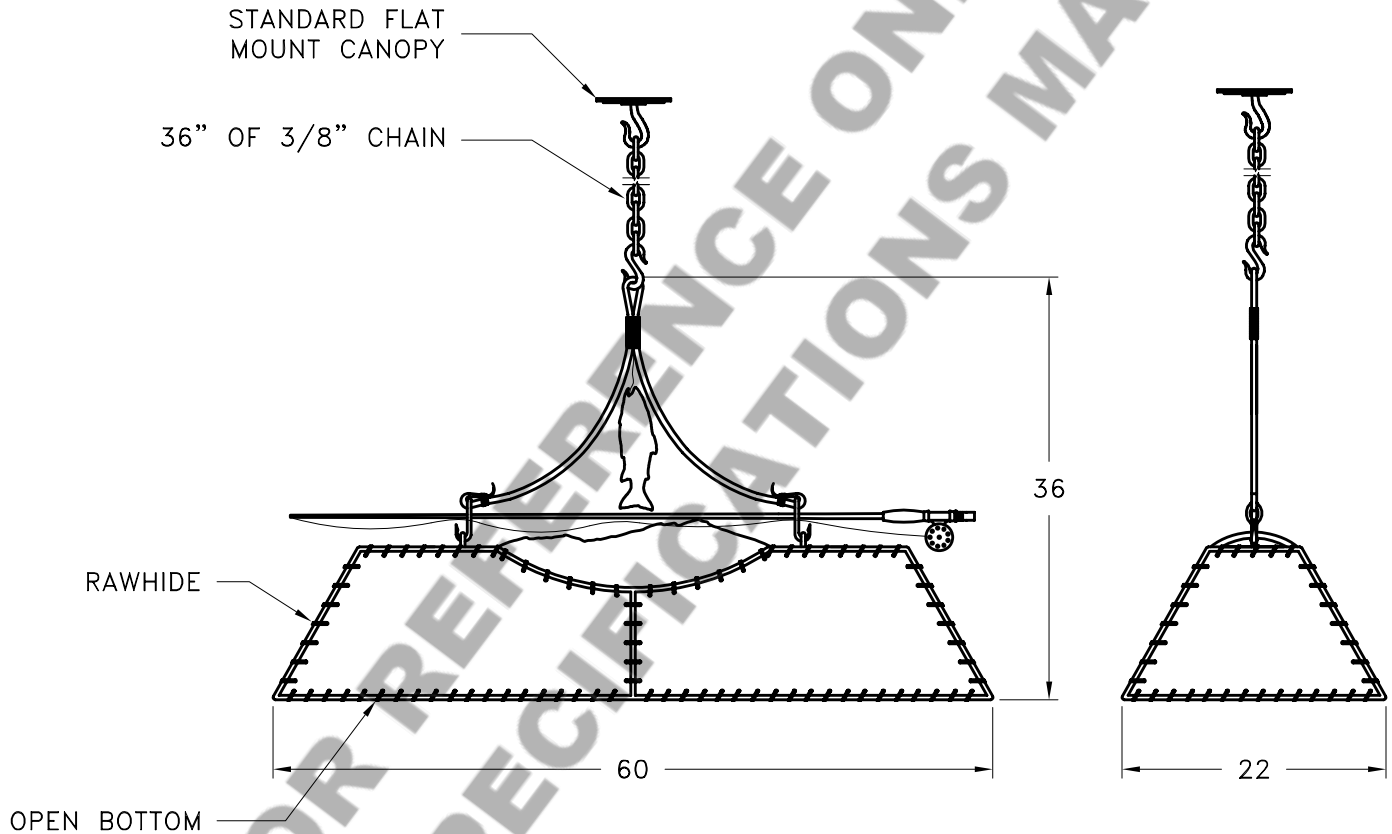


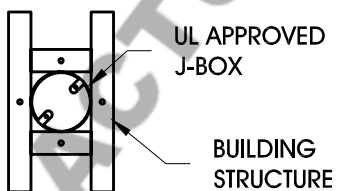
HAMMERTON



MOUNTING DETAIL



MOUNTING SPECIFICATION NOTES:



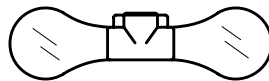
UL APPROVED
J-BOX

BUILDING
STRUCTURE

CAUTION

HARDWARE PACKET "A" MOUNTS
DIRECTLY TO BUILDING STRUCTURE.

ELECTRICAL SPECIFICATION NOTES:



**ELECTRICAL: 6-100 WATT MAX
EDISON BASE
120v TYPICAL**

Light Bulb NOT Included

CATALOG # PL4015-FI

APPROXIMATE WEIGHT: 60 Lbs.

HARDWARE PACKET: A

SHADE MATERIAL : RAWHIDE

UL RATING: DRY

DIMENSION TOLERANCE $\pm 7/8"$.

www.hammerton.com

© Copyright 2006, All rights in design, detail or invention of this drawing are reserved as the property of Hammerton. Any imitation or adaptation without written consent is strictly prohibited.