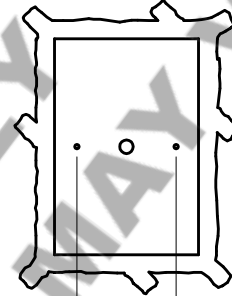
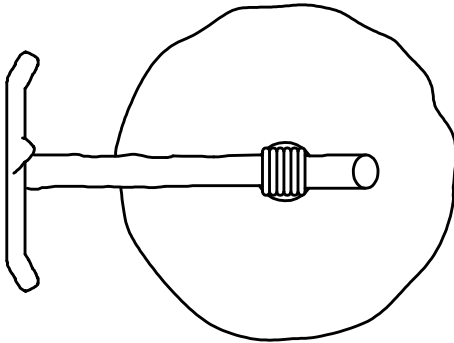


HAMMERTON

SPECIFICATION DRAWING

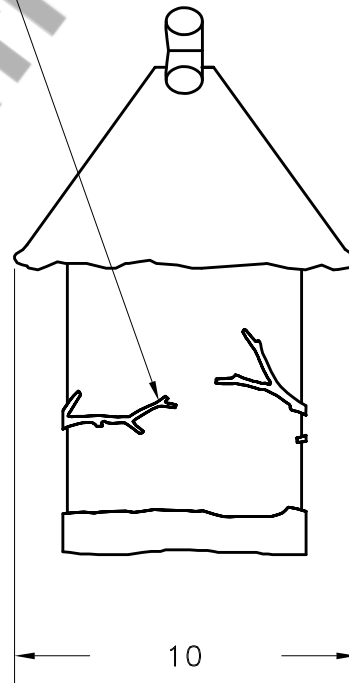
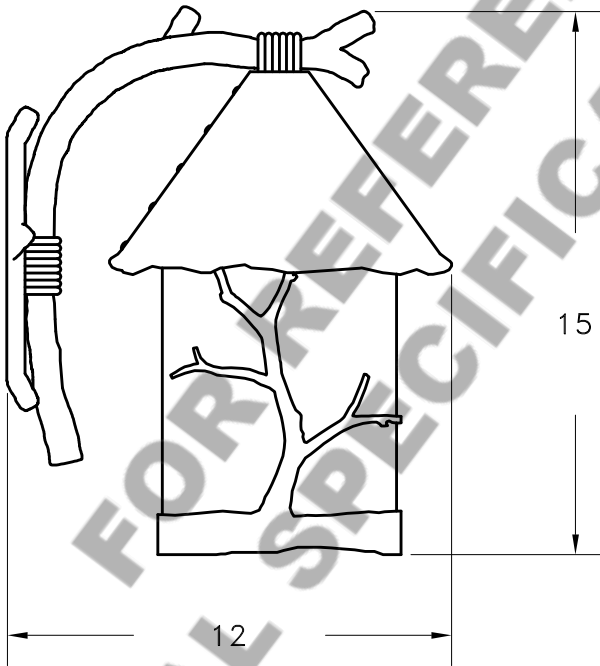
Location:

Product #: OD7038-S



2 3/4

SHOWN WITH
BRANCH MOTIF



Visit hammerton.com for product options and specifications.

Mounting Style: D	Electrical Type: INCANDESCENT
Approximate lbs.: 20	Bulb Qty: 1 Wattage: 100
Finish: SEE WEB SITE FOR OPTIONS	Voltage: 120
Top Diffuser: N/A	Socket Type: MEDIUM
Bottom Diffuser: OPEN	UL Location: DRY

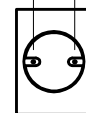
All fixtures created by Hammerton are handcrafted by artisans. Dimensions may vary up to 1/8".

©Copyright 2013. All rights in design, detail or invention of this drawing are reserved as the property of Hammerton. Any imitation or adaptation without written consent is strictly prohibited.

Hammerton Inc. · 217 Wright Brothers Dr. · Salt Lake City, UT 84116 · (801) 973-8095

Mounting Detail

2 3/4 O.C.



CAUTION
HARDWARE PACKET "D"
MOUNTS DIRECTLY TO
J-BOX.