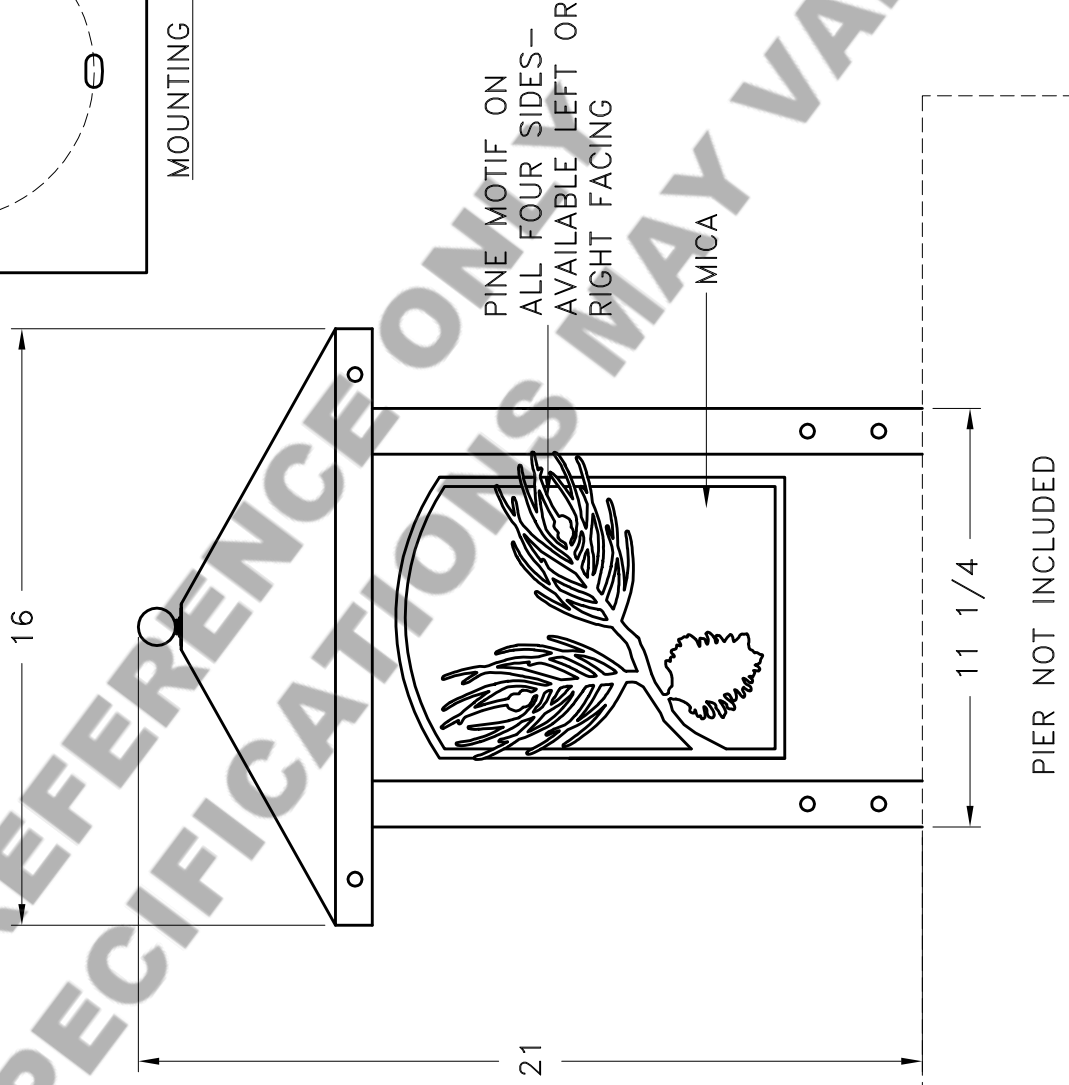
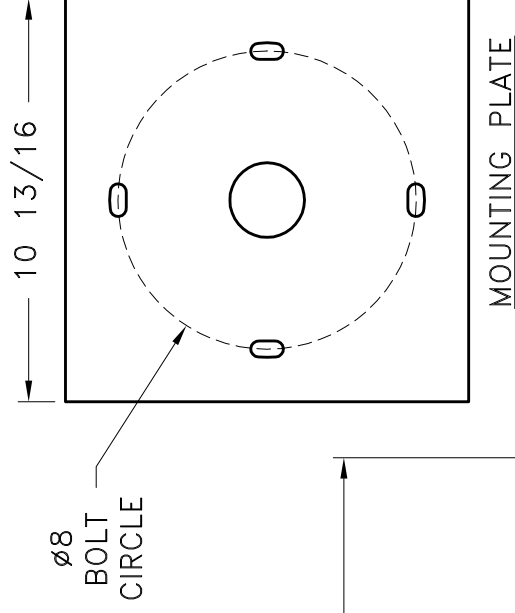


HAMMERTON

SPECIFICATION DRAWING

Location:

Product #: OD6034



FIXTURE CONSTRUCTED OUT OF ALUMINUM

Visit hammertron.com for product options.

Mounting Packet: PIER MOUNT	Electrical Type: INCANDESCENT	Mounting Detail
Approximate lbs.: 30	Bulb Qty: 1 Wattage: 75	
Finish: SEE WEB SITE FOR OPTIONS	Voltage: 120	
Top Diffuser: CLOSED STEEL CAP	Socket Type: E26	
Bottom Diffuser: N/A	UL Location: WET	

All fixtures created by Hammertron are handcrafted by artisans. Dimensions may vary up to 7/8".

©Copyright 2018. All rights in design, detail or invention of this drawing are reserved as the property of Hammertron. Any limitation or adaptation without written consent is strictly prohibited.

Hammertron Inc. · 217 Wright Brothers Dr. · Salt Lake City, UT 84116 · (801) 973-8095

SEE MOUNTING
DETAIL ABOVE