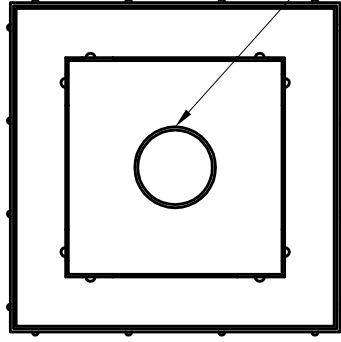
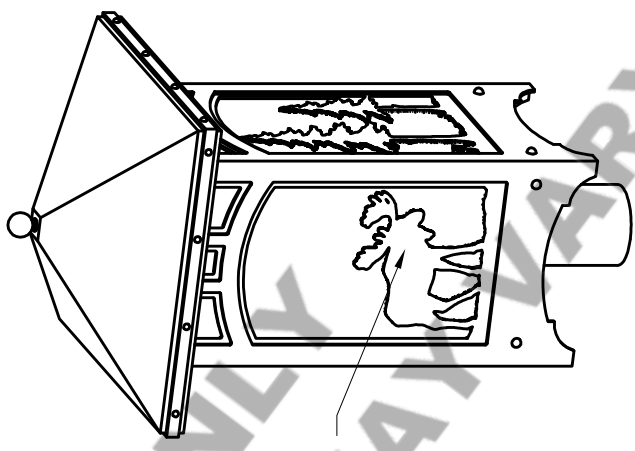
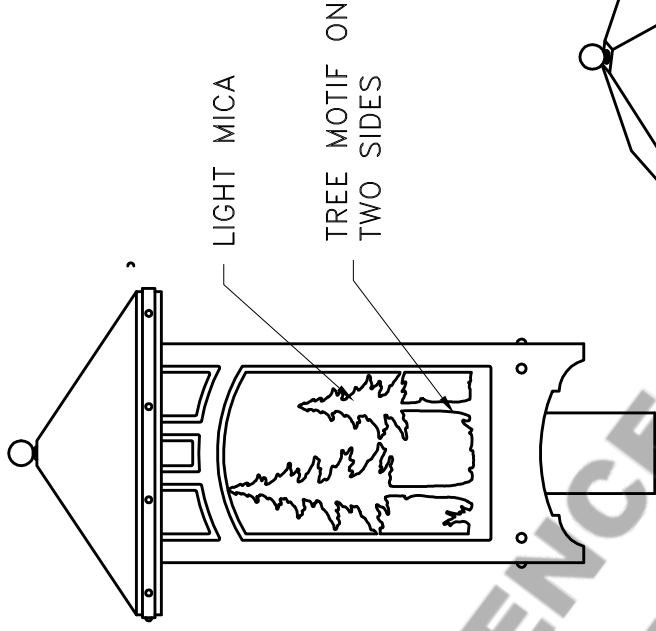
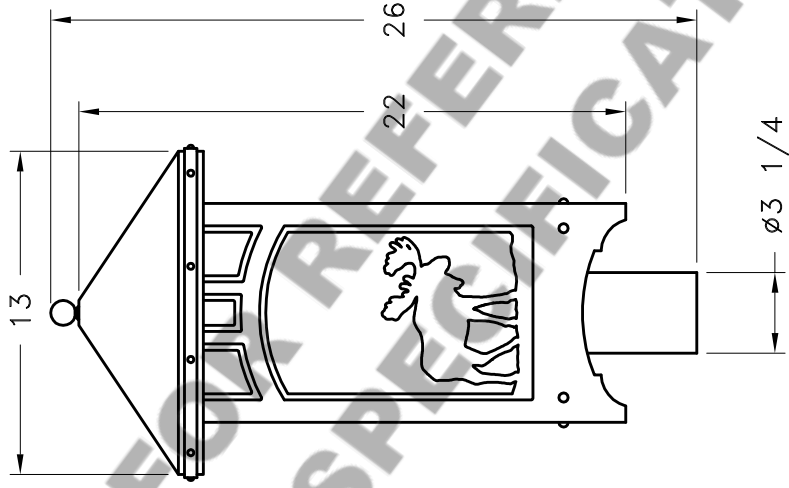


Location:

Product #: OD6033

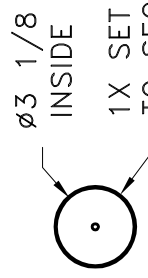


- ANIMAL MOTIF OPTIONS:**  
**RIGHT FACING SHOWN**  
**LEFT FACING AVAILABLE**
- MO-BR
  - MO-EK
  - MO-DR
  - MO-WF
  - MO-HS
  - MO-BF
  - MO-MS
  - MO-FI

Visit [hammertron.com](http://hammertron.com) for product options.

Mounting Packet: CUSTOM POST	Electrical Type: INCANDESCENT
Approximate lbs.: 30	Bulb Qty: 1 Wattage: 100
Finish: SEE WEB SITE FOR OPTIONS	Voltage: 120
Top Diffuser: CLOSED CAP	Socket Type: E26
Bottom Diffuser: CLOSED	UL Location: WET

Mounting Detail



All fixtures created by Hammerton are handcrafted by artisans. Dimensions may vary up to 1/8".

©Copyright 2018. All rights in design, detail or invention of this drawing are reserved as the property of Hammerton. Any imitation or adaptation without written consent is strictly prohibited.

Hammerton Inc. · 217 Wright Brothers Dr. · Salt Lake City, UT 84116 · (801) 973-8095

MOUNTS TO 3" DIA POST