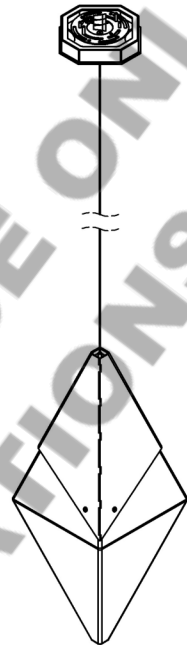
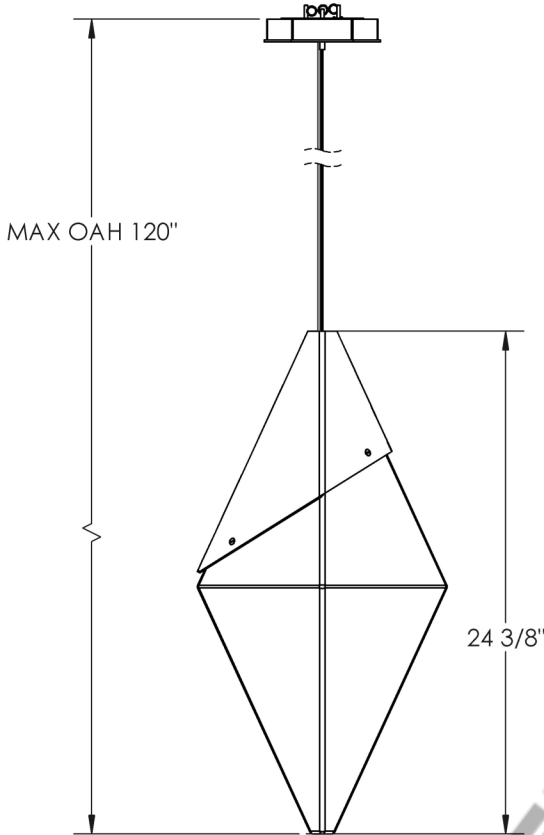
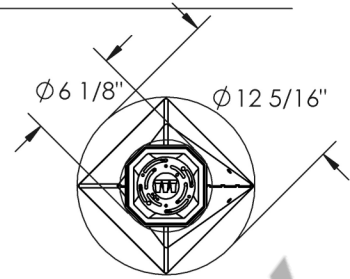


Approved By:

Product #: LAA2173

Date: 6/8/2018 (A)

**** NOTE****
 DRIVER TO BE INSTALLED IN J-BOX.
 MINIMUM SIZE OF J-BOX REQUIRED IS
 4" L x 4" W x 1.5" H



Mounting Style: FLAT	Electrical Type: LED
Approximate lbs.: 22	Bulb Qty: 1 Wattage: 5.2
Finish: SEE WEBSITE FOR OPTIONS	Voltage: 120
Top Diffuser: CLOSED METAL	Socket Type: N/A
Bottom Diffuser: CLOSED GLASS	UL Location: DRY
All fixtures created by Hammerton are handcrafted by artisans—dimensions may vary.	
© Copyright 2015. All rights in design, detail or invention of this drawing are reserved as the property of Hammerton. Any limitation or adaptation without written consent is strictly prohibited.	
Hammerton Inc. 217 Wright Brothers Dr. Salt Lake City, UT 84116 (801) 973-8095	

Mounting Detail

UL APPROVED J-BOX

CAUTION
 HARDWARE PACKET "J"
 MOUNTS DIRECTLY TO J-BOX.