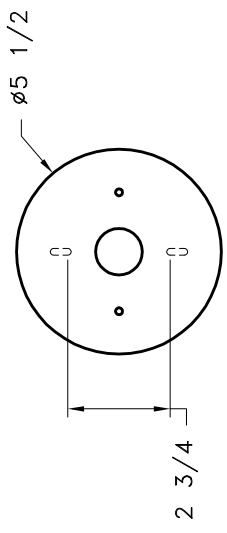


HAMMERTON

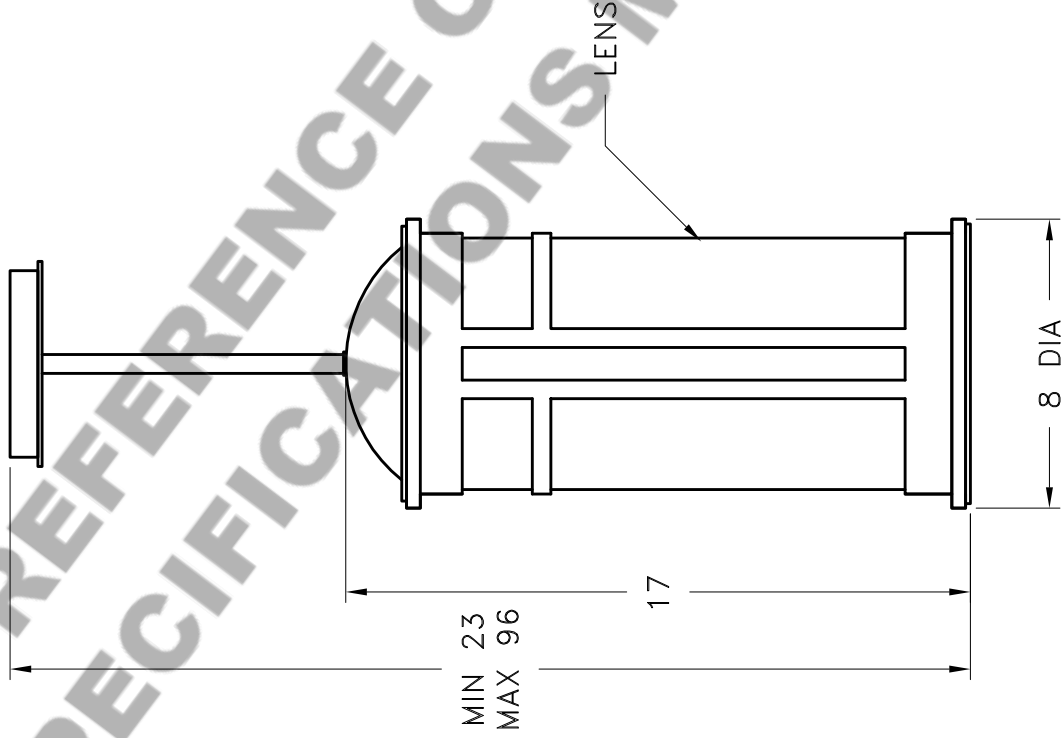
SPECIFICATION DRAWING

Location:

Product #: LA8079



MOUNTING DETAIL

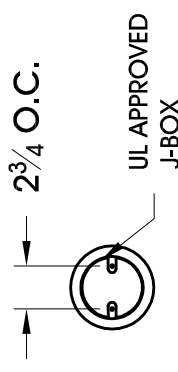


Visit hammerton.com for product options.

Mounting Packet: J	Electrical Type: INCANDESCENT
Approximate lbs.: 15	Bulb Qty: 1 Wattage: 100
Finish: SEE WEB SITE FOR OPTIONS	Voltage: 120
Top Diffuser: CLOSED METAL	Socket Type: E26
Bottom Diffuser: OPEN	UL Location: DAMP

All fixtures created by Hammerton are handcrafted by artisans. Dimensions may vary up to $\frac{7}{8}$ ".
© Copyright 2018. All rights in design, detail or invention of this drawing are reserved as the property of Hammerton. Any imitation or adaptation without written consent is strictly prohibited.
Hammerton Inc. · 217 Wright Brothers Dr. · Salt Lake City, UT 84116 · (801) 973-8095

Mounting Detail



UL APPROVED
J-BOX
CAUTION
HARDWARE PACKET "J" MOUNTS
DIRECTLY TO J-BOX.