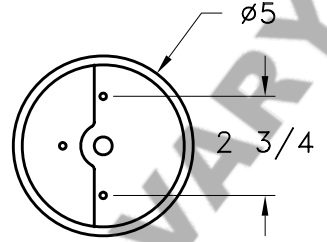
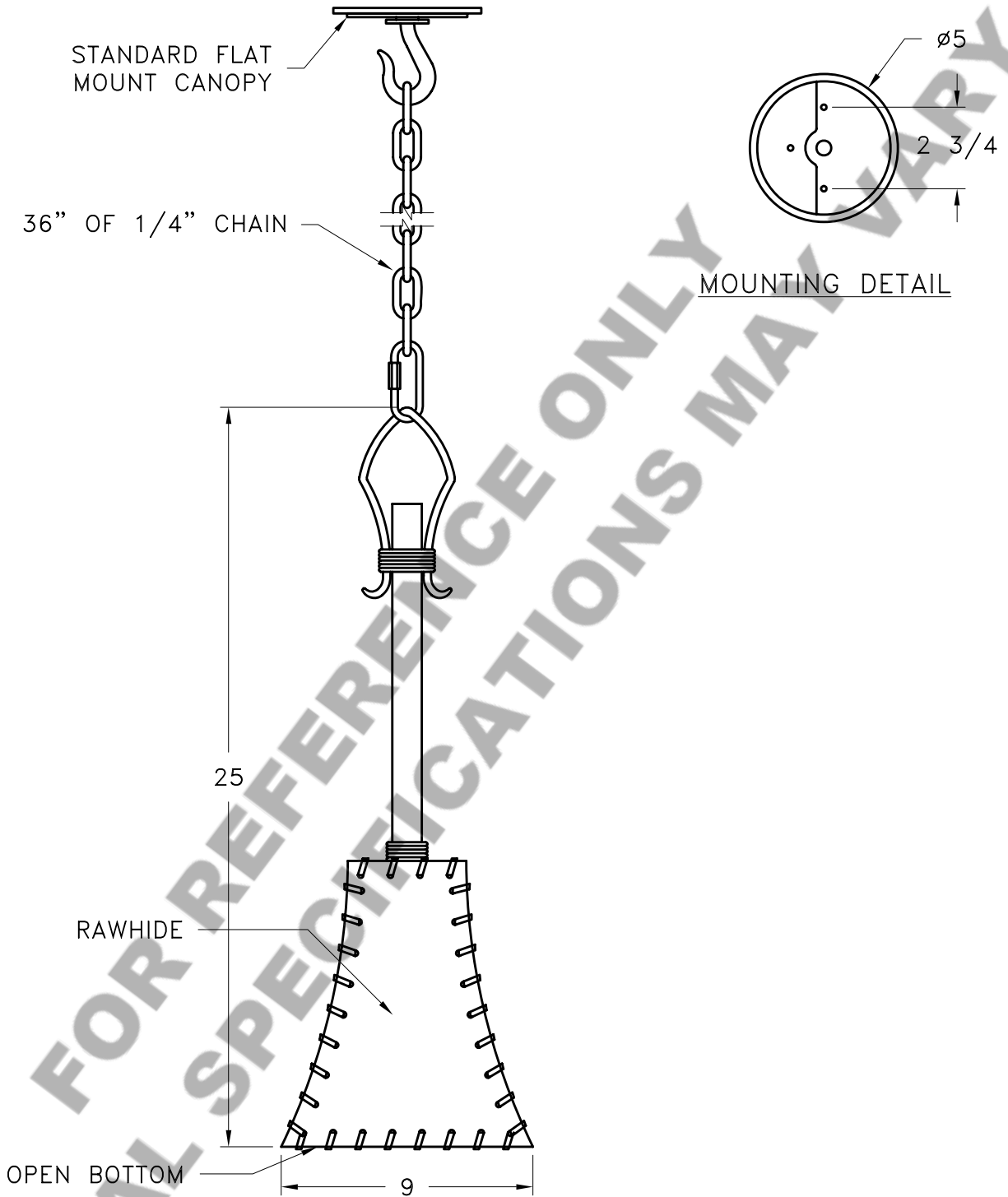


# HAMMERTON



MOUNTING DETAIL

36" OF 1/4" CHAIN

STANDARD FLAT MOUNT CANOPY

25

RAWHIDE

OPEN BOTTOM

9

**MOUNTING SPECIFICATION NOTES:**

← 2 3/4 O.C. →



UL APPROVED J-BOX

**CAUTION**

HARDWARE PACKET "J" MOUNTS DIRECTLY TO J-BOX.

**ELECTRICAL SPECIFICATION NOTES:**



**ELECTRICAL: 1-75 WATT MAX  
EDISON BASE  
120v TYPICAL**

Light Bulb NOT Included

CATALOG # LA5034

APPROXIMATE WEIGHT: 5 Lbs.

HARDWARE PACKET: J

SHADE MATERIAL : RAWHIDE

UL RATING: DRY

DIMENSION TOLERANCE ± 7/8".

www.hammerton.com

© Copyright 2006, All rights in design, detail or invention of this drawing are reserved as the property of Hammerton. Any imitation or adaptation without written consent is strictly prohibited.