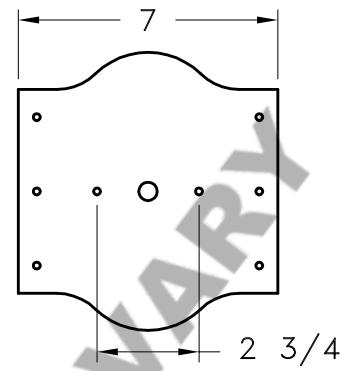
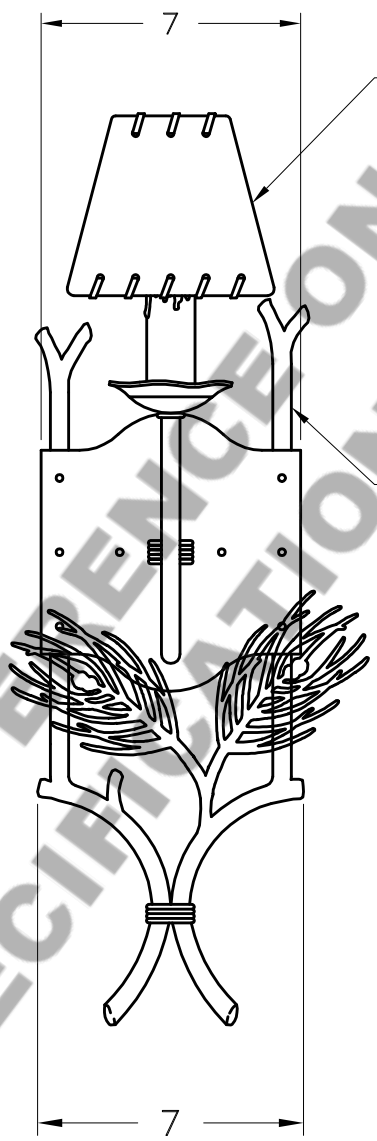
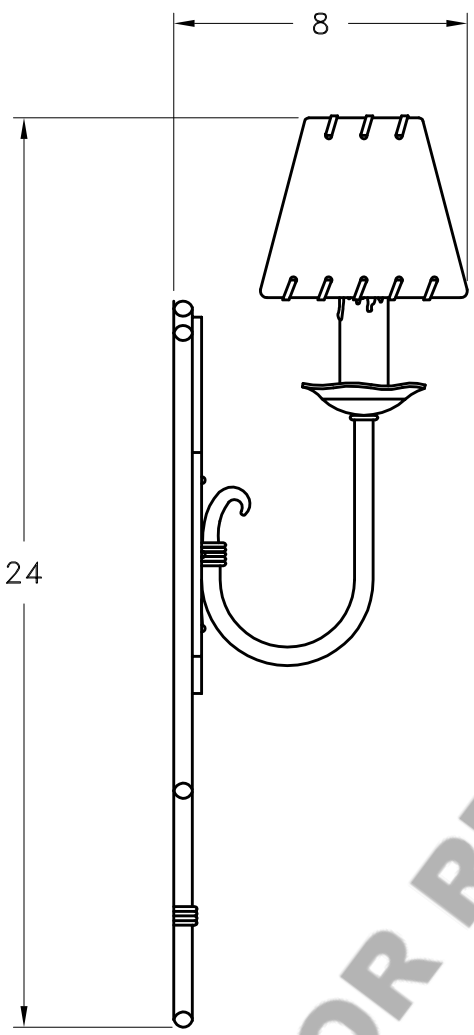


HAMMERTON



MOUNTING DETAIL

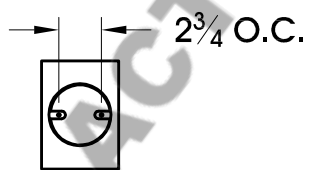


SH0008
RAWHIDE

STANDARD
FINISH

FOR REFERENCE ONLY DIMENSIONS MAY VARY

MOUNTING SPECIFICATION NOTES:



2³/₄ O.C.

CAUTION
HARDWARE PACKET "D" MOUNTS
DIRECTLY TO J-BOX.

ELECTRICAL SPECIFICATION NOTES:



**ELECTRICAL: 1 - 40 WATT MAX
EDISON BASE
120v TYPICAL**

Light Bulb NOT Included

CATALOG # ID7154-PN

APPROXIMATE WEIGHT: 10 Lbs.

HARDWARE PACKET: D

SHADE MATERIAL : RAWHIDE

UL RATING: DRY

DIMENSION TOLERANCE ± 7/8".

www.hammerton.com

© Copyright 2006, All rights in design, detail or invention of this drawing are reserved as the property of Hammerton. Any imitation or adaptation without written consent is strictly prohibited.