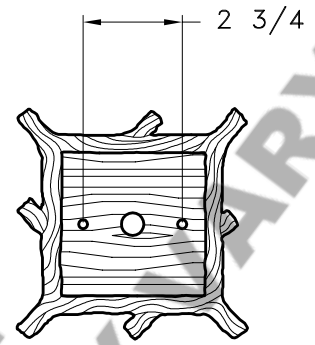
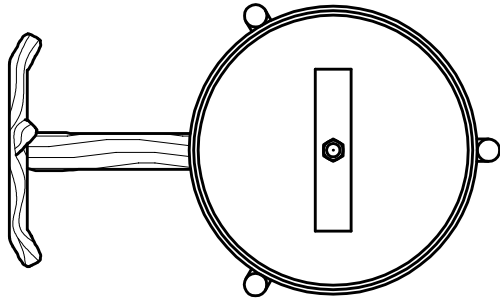
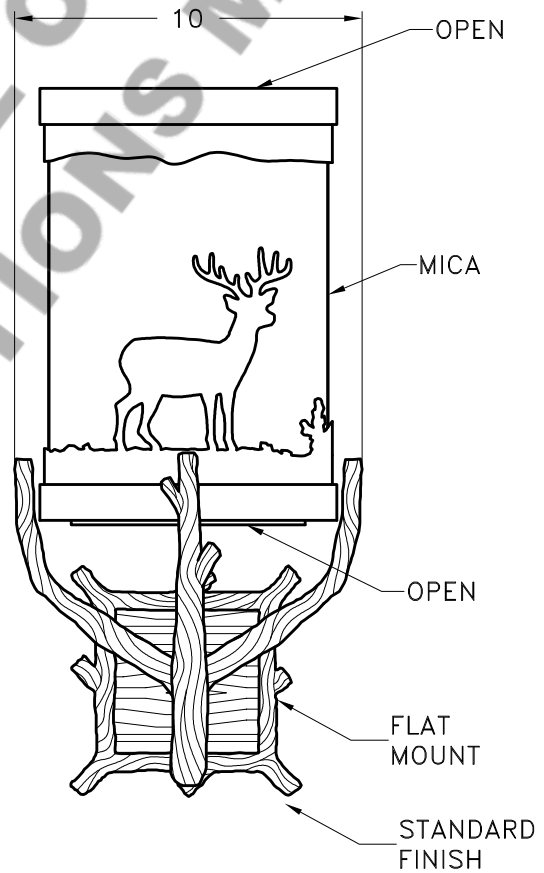
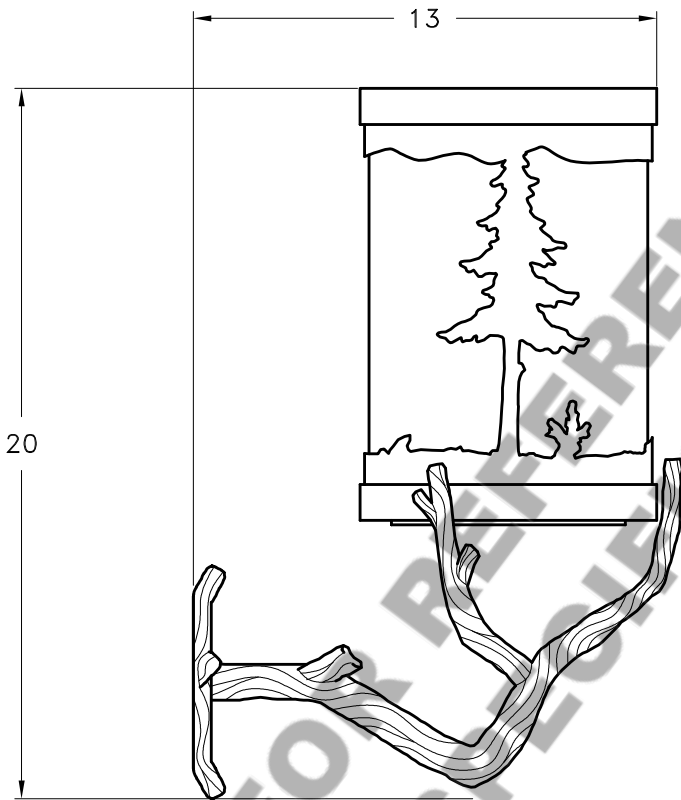


HAMMERTON

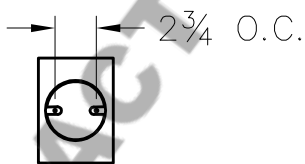


MOUNTING DETAIL



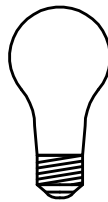
**** RIGHT FACING****

MOUNTING SPECIFICATION NOTES:



CAUTION
HARDWARE PACKET "D"
MOUNTS DIRECTLY TO
J-BOX.

ELECTRICAL SPECIFICATION NOTES:



ELECTRICAL: 1 -60 WATT MAX
MEDIUM BASE
120v TYPICAL
LIGHT BULB NOT INCLUDED

Light Bulb NOT Included

CATALOG # ID6007-DR

APPROXIMATE WEIGHT: 15 Lbs.

HARDWARE PACKET: C

SHADE MATERIAL : MICA

UL RATING: DRY

DIMENSION TOLERANCE $\pm 7/8"$.

www.hammerton.com

© Copyright 2006, All rights in design, detail or invention of this drawing are reserved as the property of Hammerton. Any imitation or adaptation without written consent is strictly prohibited.