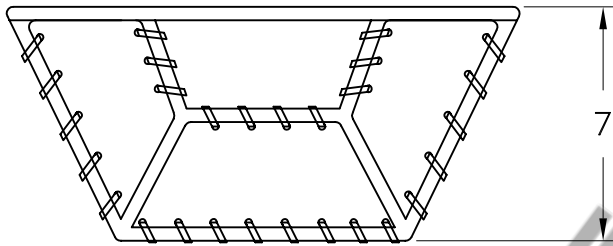


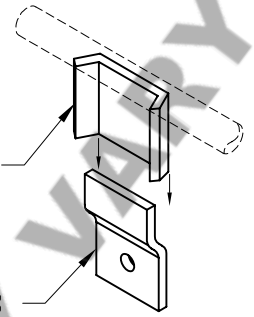
# HAMMERTON



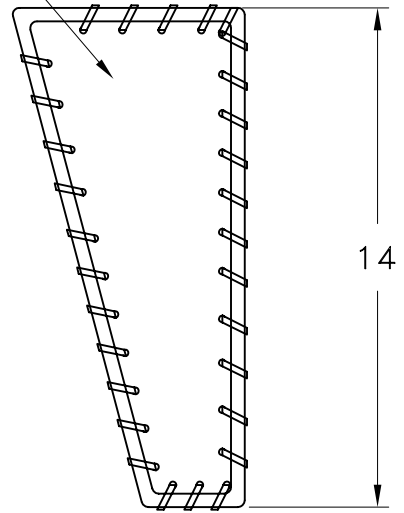
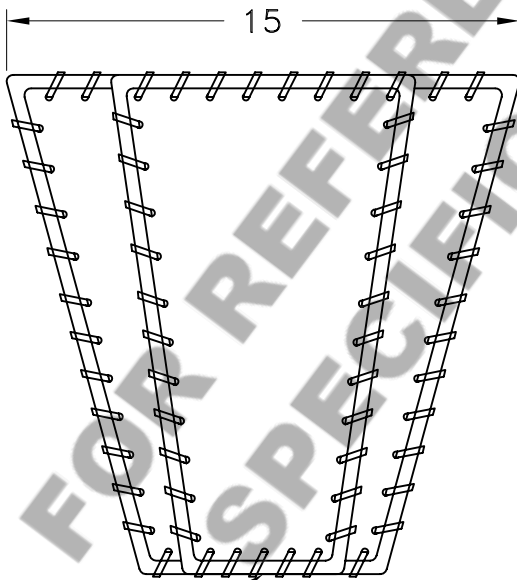
MTG TAB ON  
FIXTURE

WALL TAB

MOUNTING DETAIL

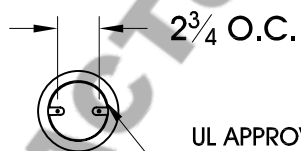


RAWHIDE



OPEN BOTTOM

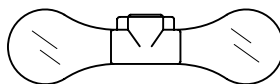
**MOUNTING SPECIFICATION NOTES:**



UL APPROVED  
J-BOX

**CAUTION**  
HARDWARE PACKET "E" MOUNTS  
DIRECTLY TO J-BOX.

**ELECTRICAL SPECIFICATION NOTES:**



**ELECTRICAL: 2-75 WATT MAX**  
**EDISON BASE**  
**120v TYPICAL**

Light Bulb NOT Included

CATALOG # CS5032

APPROXIMATE WEIGHT: 5 Lbs.

HARDWARE PACKET: E

SHADE MATERIAL : RAWHIDE

UL RATING: DRY

DIMENSION TOLERANCE  $\pm 7/8"$ .

[www.hammerton.com](http://www.hammerton.com)

© Copyright 2006, All rights in design, detail or  
Invention of this drawing are reserved as the  
property of Hammerton. Any imitation or  
adaptation without written consent is strictly  
prohibited.