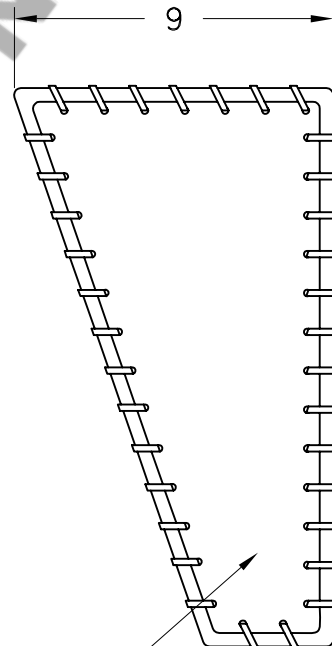
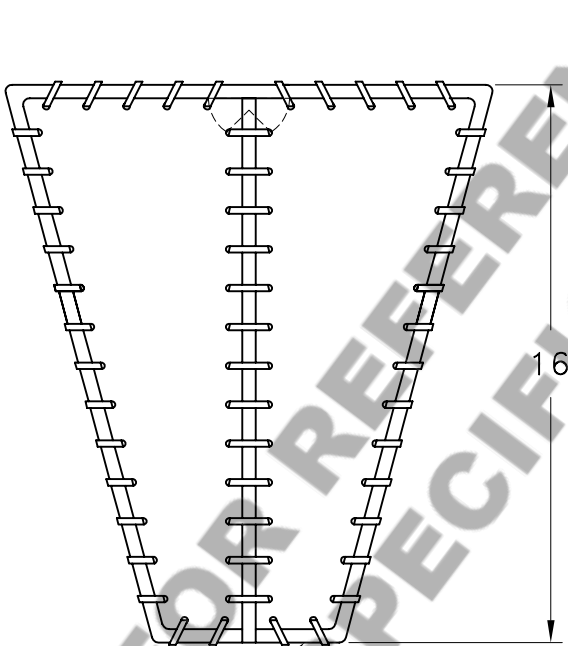
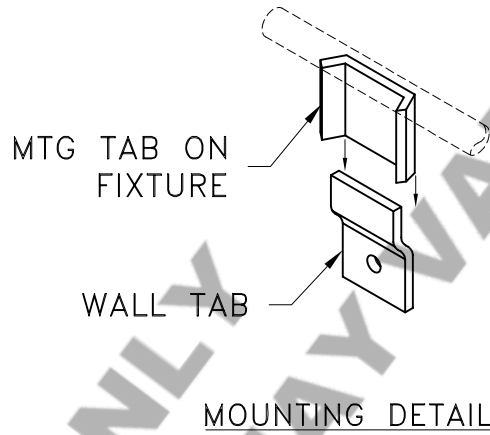
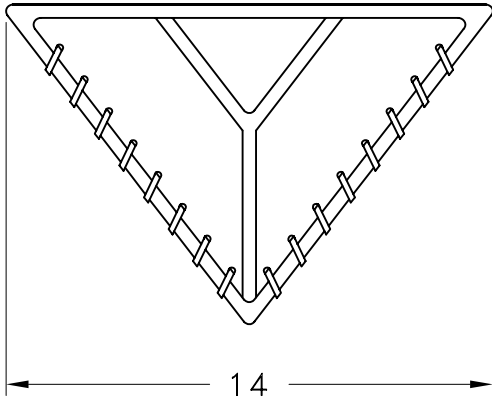


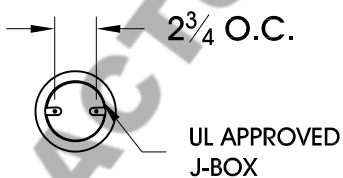
HAMMERTON



OPEN BOTTOM

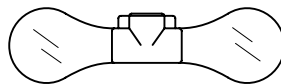
RAWHIDE

MOUNTING SPECIFICATION NOTES:



CAUTION
HARDWARE PACKET "E" MOUNTS DIRECTLY TO J-BOX.

ELECTRICAL SPECIFICATION NOTES:



ELECTRICAL: 2-75 WATT MAX
EDISON BASE
120v TYPICAL

Light Bulb NOT Included

CATALOG # CS5031

APPROXIMATE WEIGHT: 5 Lbs.

HARDWARE PACKET: E

SHADE MATERIAL : RAWHIDE

UL RATING: DRY

DIMENSION TOLERANCE ± 7/8".

www.hammerton.com

© Copyright 2006, All rights in design, detail or invention of this drawing are reserved as the property of Hammerton. Any imitation or adaptation without written consent is strictly prohibited.