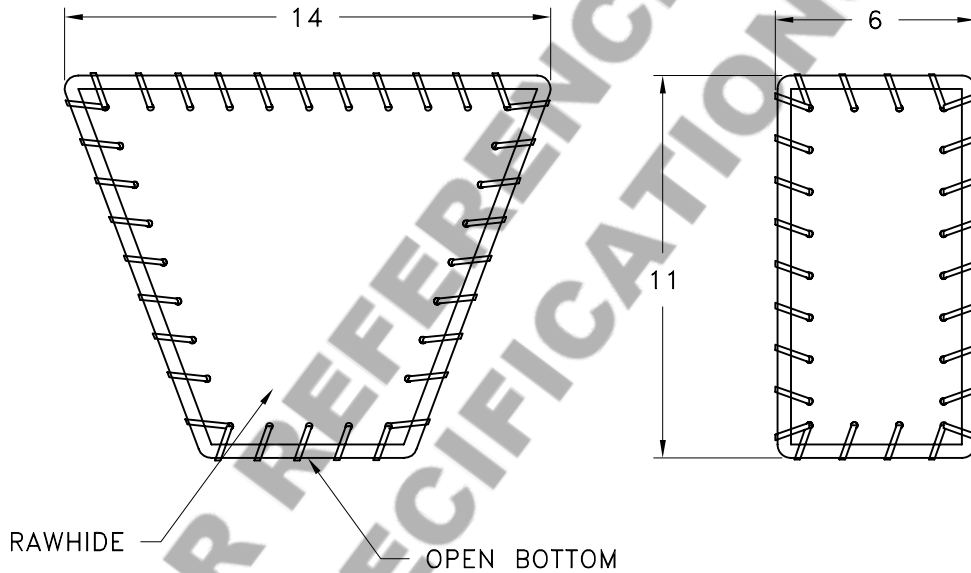
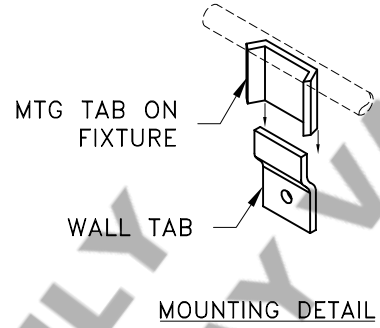


# HAMMERTON



**MOUNTING SPECIFICATION NOTES:**

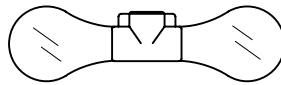
2<sup>3</sup>/<sub>4</sub> O.C.



UL APPROVED  
J-BOX

**CAUTION**  
HARDWARE PACKET "E" MOUNTS  
DIRECTLY TO J-BOX.

**ELECTRICAL SPECIFICATION NOTES:**



**ELECTRICAL: 2-75 WATT MAX**  
**EDISON BASE**  
**120v TYPICAL**

Light Bulb NOT Included

CATALOG # CS5016

APPROXIMATE WEIGHT: 4 Lbs.

HARDWARE PACKET: E

SHADE MATERIAL : RAWHIDE

UL RATING: DRY

DIMENSION TOLERANCE ± 7/8".

[www.hammerton.com](http://www.hammerton.com)

© Copyright 2006, All rights in design, detail or invention of this drawing are reserved as the property of Hammerton. Any imitation or adaptation without written consent is strictly prohibited.