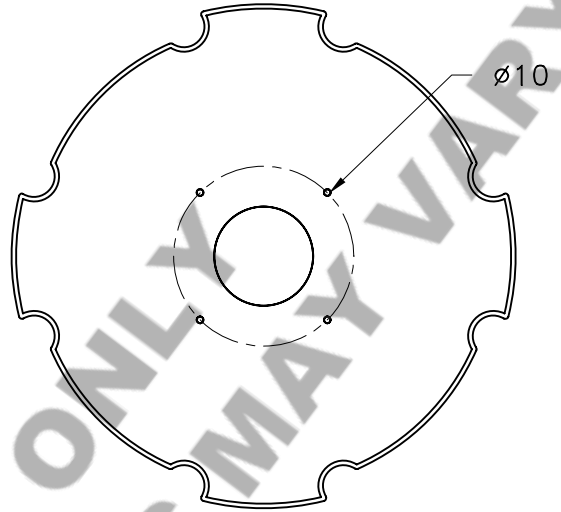
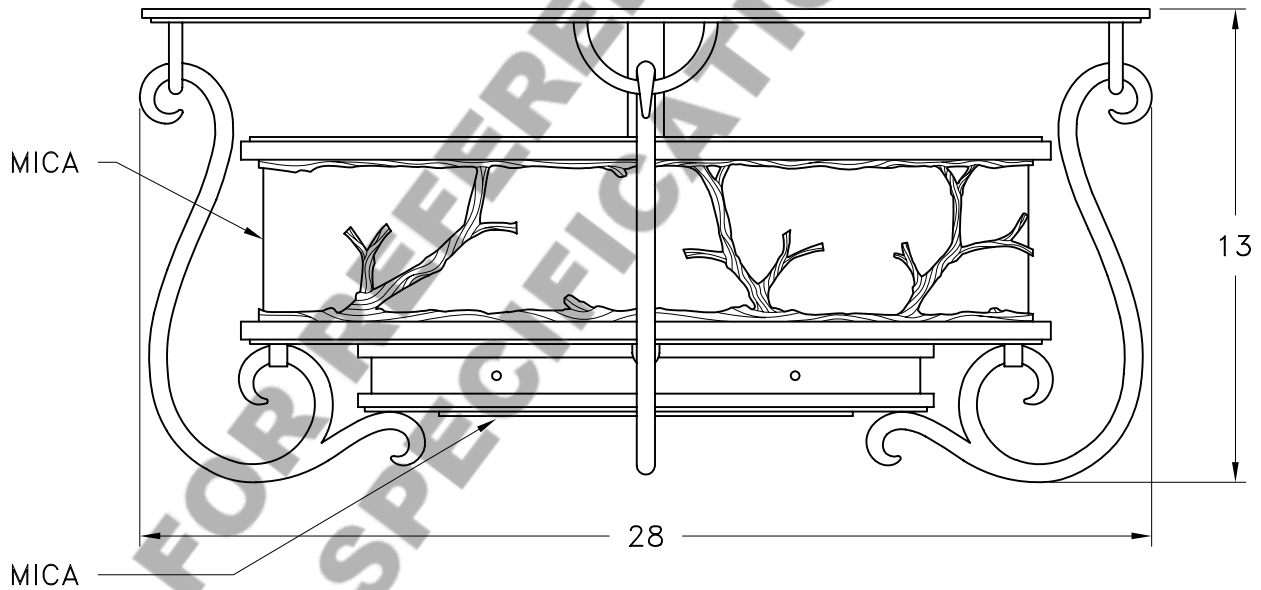


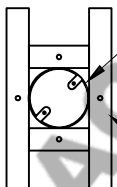
HAMMERTON



MOUNTING DETAIL



MOUNTING SPECIFICATION NOTES:



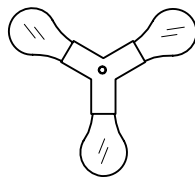
UL APPROVED
J-BOX

BUILDING
STRUCTURE

CAUTION

HARDWARE PACKET "G" MOUNTS
DIRECTLY TO BUILDING STRUCTURE.

ELECTRICAL SPECIFICATION NOTES:



ELECTRICAL: 3-75 WATT MAX
EDISON BASE
120v TYPICAL

Light Bulb NOT Included

CATALOG # CL7147-BC

APPROXIMATE WEIGHT: 85 Lbs.

HARDWARE PACKET: G

SHADE MATERIAL : MICA

UL RATING: DRY

DIMENSION TOLERANCE ± 7/8".

www.hammerton.com

© Copyright 2006, All rights in design, detail or invention of this drawing are reserved as the property of Hammerton. Any imitation or adaptation without written consent is strictly prohibited.