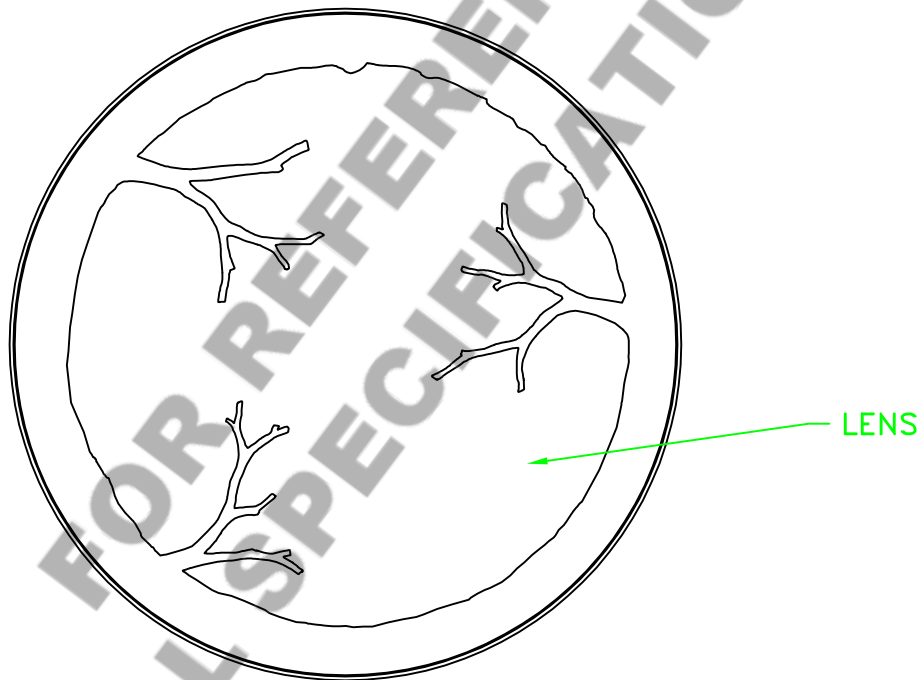
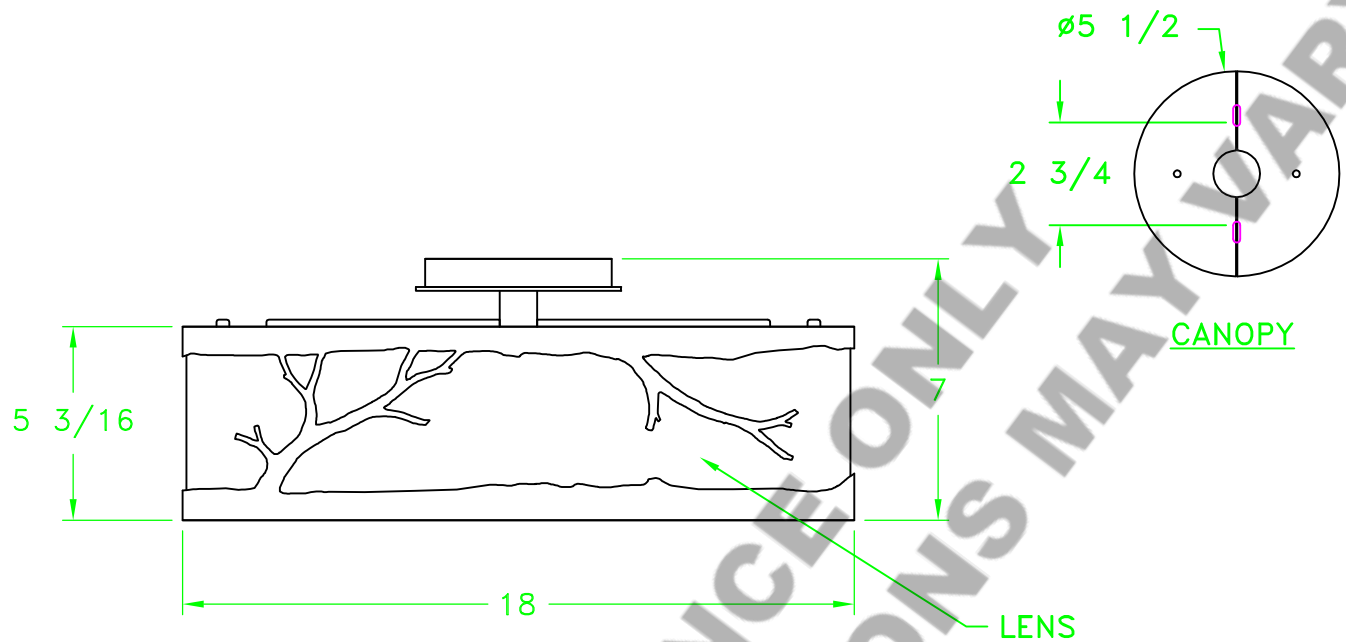


Location:

Product #: CL7028-M



**BOTTOM VIEW**

Visit [hammerton.com](http://hammerton.com) for product options and specifications.

Mounting Style: J	Electrical Type: INCANDESCENT	<p>Mounting Detail</p> <p>UL APPROVED J-BOX</p> <p>CAUTION HARDWARE PACKET "J" MOUNTS DIRECTLY TO J-BOX.</p>
Approximate lbs.: 12	Bulb Qty: 2    Wattage: 60	
Finish: SEE WEB SITE FOR OPTIONS	Voltage: 120	
Top Diffuser: OPEN	Socket Type: MEDIUM	
Bottom Diffuser: SAME AS LENS	UL Location: DRY	
<p>All fixtures created by Hammerton are handcrafted by artisans. Dimensions may vary up to <math>\frac{7}{8}</math>".</p> <p>©Copyright 2013. All rights in design, detail or invention of this drawing are reserved as the property of Hammerton. Any imitation or adaptation without written consent is strictly prohibited.</p> <p>Hammerton Inc. · 217 Wright Brothers Dr. · Salt Lake City, UT 84116 · (801) 973-8095</p>		