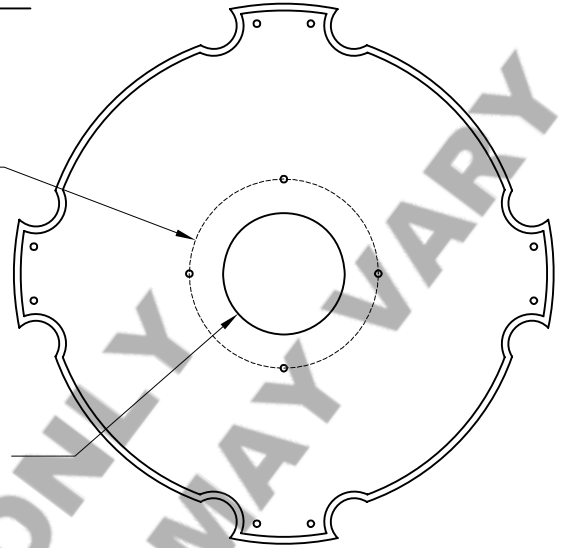


# HAMMERTON

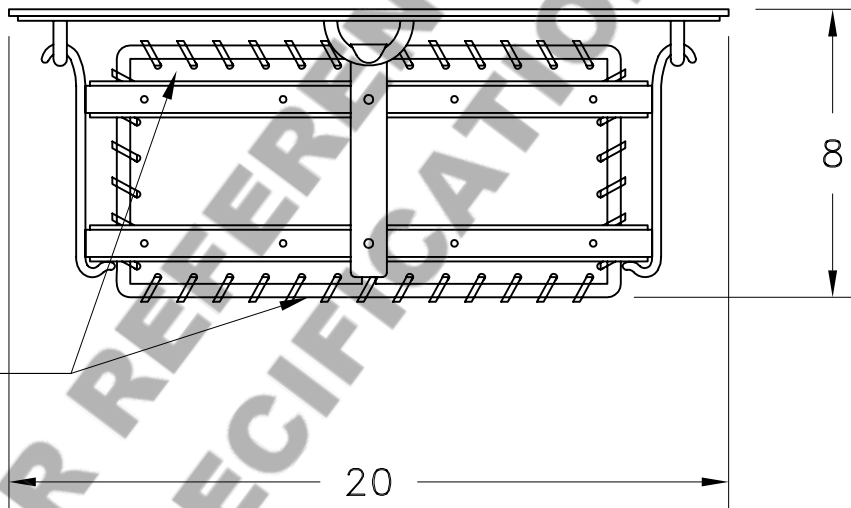
ø5 1/4

ø3 3/8



MOUNTING DETAIL

RAWHIDE



**MOUNTING SPECIFICATION NOTES:**

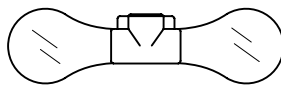
2 3/4 O.C.



UL APPROVED  
J-BOX

**CAUTION**  
HARDWARE PACKET "L" MOUNTS  
DIRECTLY TO J-BOX.

**ELECTRICAL SPECIFICATION NOTES:**



**ELECTRICAL: 2-60 WATT MAX**  
**EDISON BASE**  
**120v TYPICAL**

Light Bulb NOT Included

CATALOG # CL5044

APPROXIMATE WEIGHT: 35 Lbs.

HARDWARE PACKET: L

SHADE MATERIAL : RAWHIDE

UL RATING: DRY

DIMENSION TOLERANCE ± 7/8".

[www.hammerton.com](http://www.hammerton.com)

© Copyright 2006, All rights in design, detail or invention of this drawing are reserved as the property of Hammerton. Any imitation or adaptation without written consent is strictly prohibited.