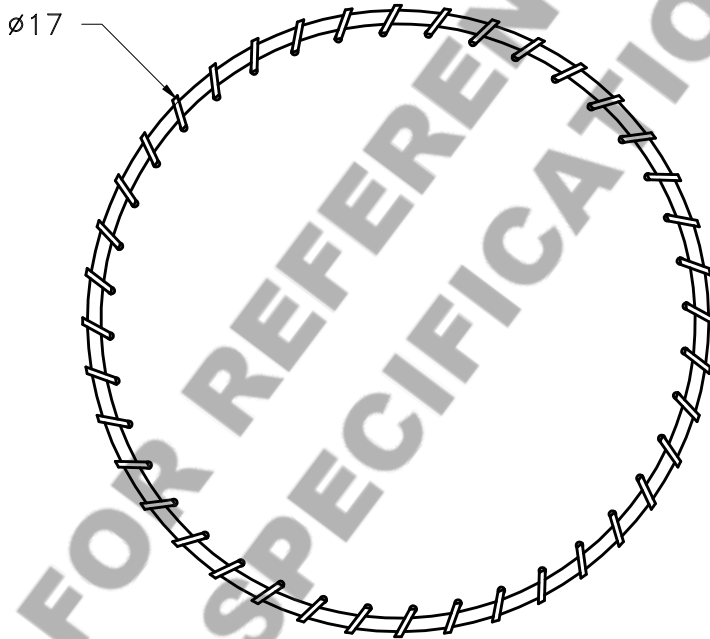
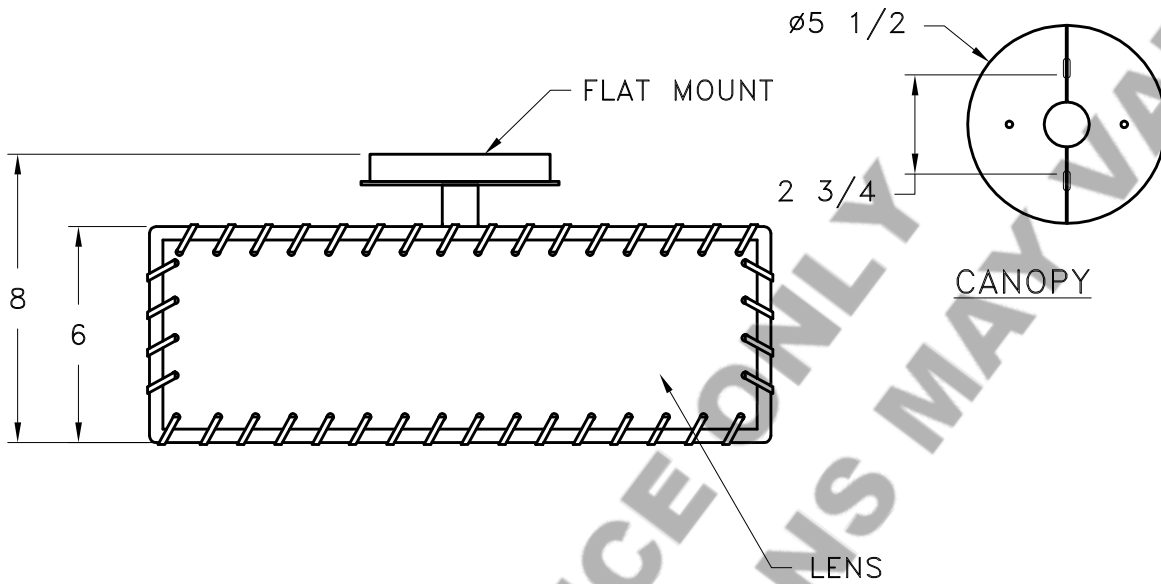


Location:

Product #: CL5001-M



BOTTOM VIEW

Visit [hammerton.com](http://hammerton.com) for product options and specifications.

Mounting Style: J	Electrical Type: INCANDESCENT	<p>Mounting Detail 2<sup>3</sup>/<sub>4</sub> O.C. UL APPROVED J-BOX</p>
Approximate lbs.: 12	Bulb Qty: 2 Wattage: 60	
Finish: SEE WEB SITE FOR OPTIONS	Voltage: 120	
Top Diffuser: OPEN	Socket Type: MEDIUM	
Bottom Diffuser: SAME AS LENS	UL Location: DRY	

**CAUTION**

HARDWARE PACKET "J" MOUNTS DIRECTLY TO J-BOX.

All fixtures created by Hammerton are handcrafted by artisans. Dimensions may vary up to 1/8".

©Copyright 2013. All rights in design, detail or invention of this drawing are reserved as the property of Hammerton. Any imitation or adaptation without written consent is strictly prohibited.