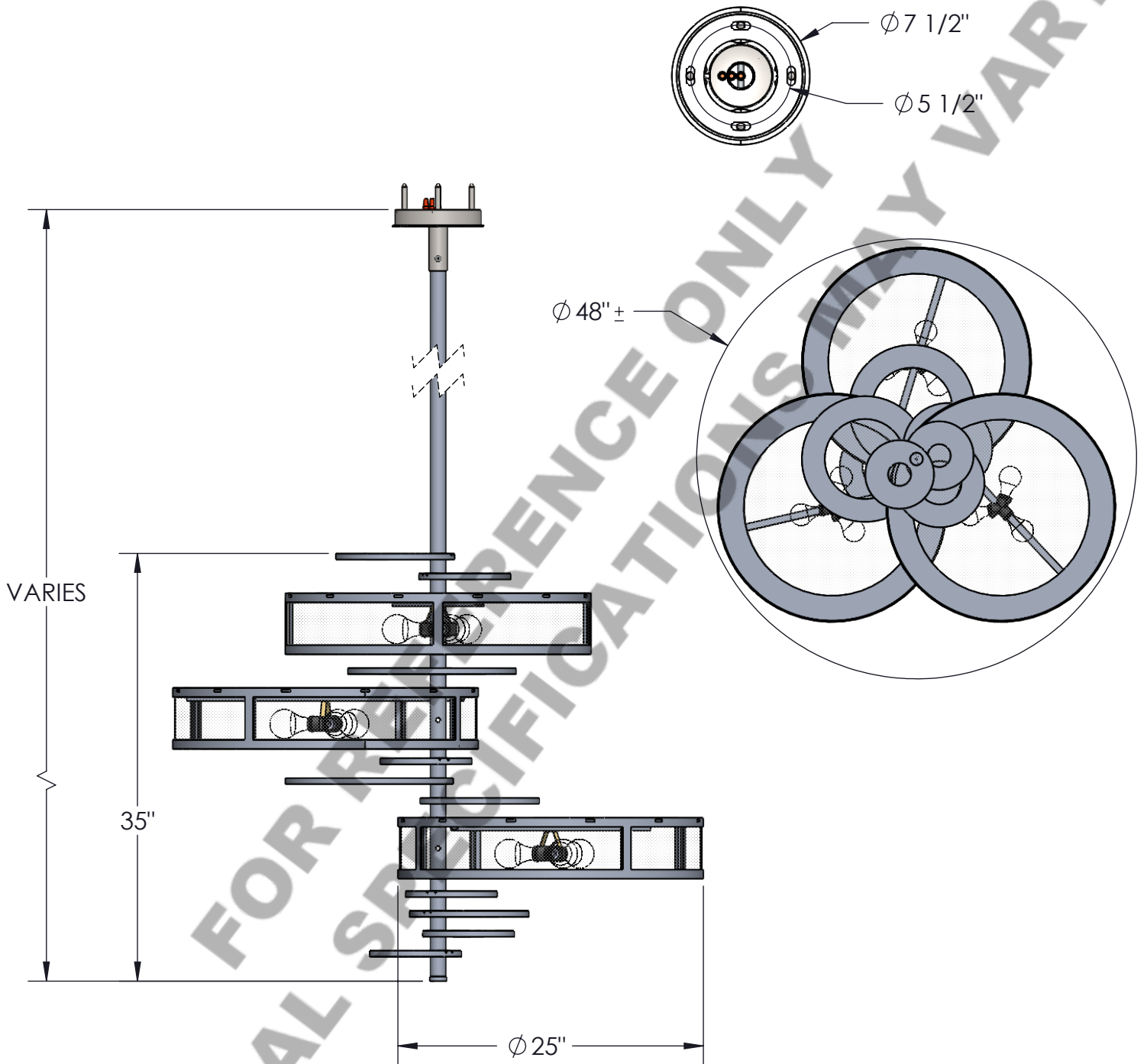


Approved By:

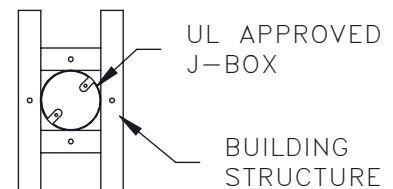
Product #: CHA2179

Date: 8/25/2017 (A)



Mounting Style: FLAT	Electrical Type: INCANDESCENT
Approximate lbs.: 106	Bulb Qty: 9 Wattage: 60
Finish: SEE WEBSITE FOR OPTIONS	Voltage: 120
Top Diffuser: SAME AS LENS	Socket Type: E26
Bottom Diffuser: SAME AS LENS	UL Location: DRY

Mounting Detail



CAUTION
HARDWARE PACKET "A"
MOUNTS DIRECTLY TO BUILDING
STRUCTURE.

All fixtures created by Hammerton are handcrafted by artisans—dimensions may vary.

© Copyright 2015. All rights in design, detail or invention of this drawing are reserved as the property of Hammerton. Any imitation or adaptation without written consent is strictly prohibited.

Hammerton Inc. 217 Wright Brothers Dr. Salt Lake City, UT 84146 (801) 973-8095