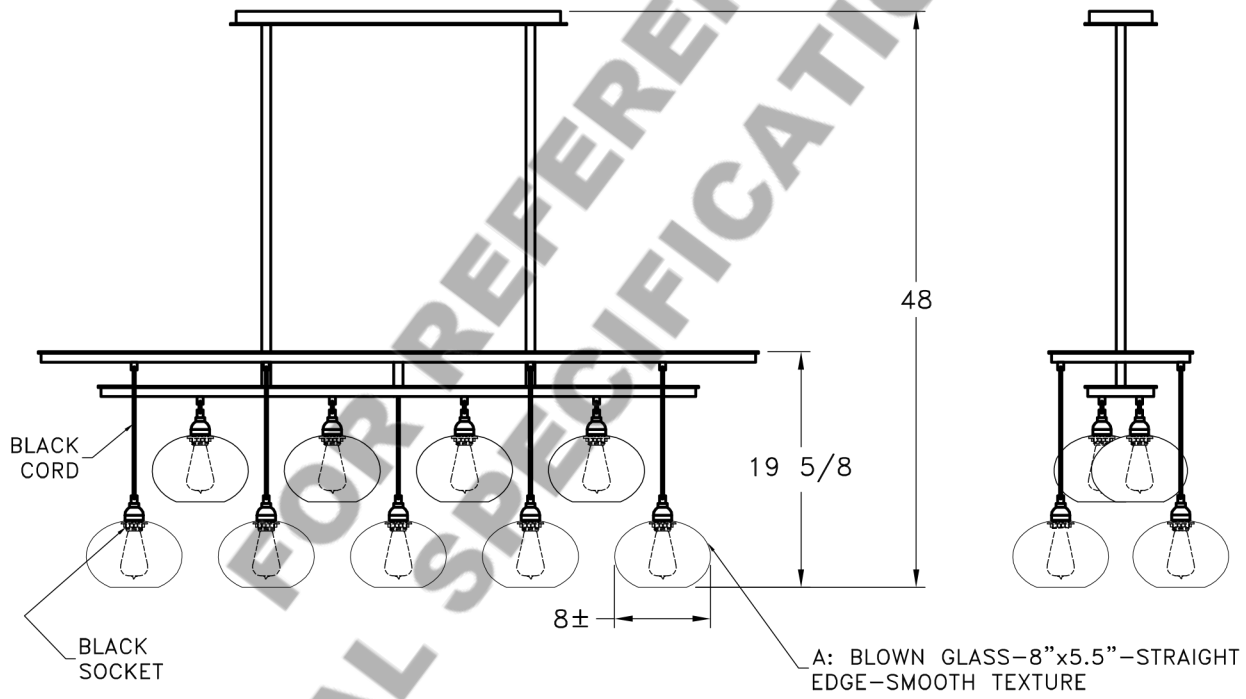
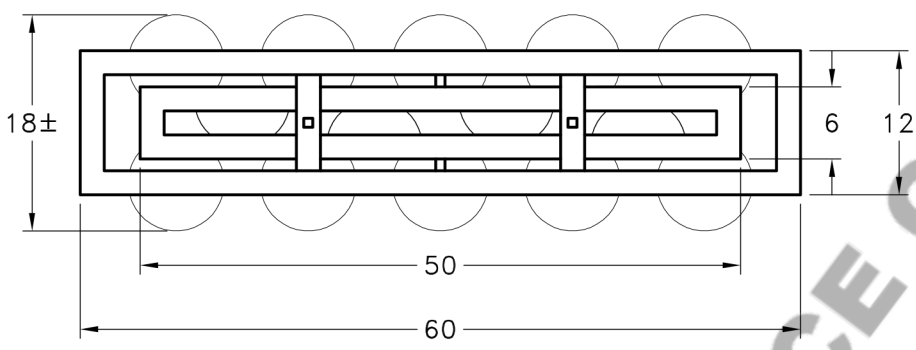
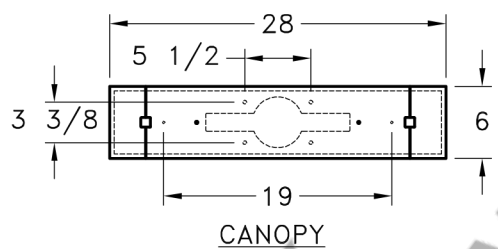


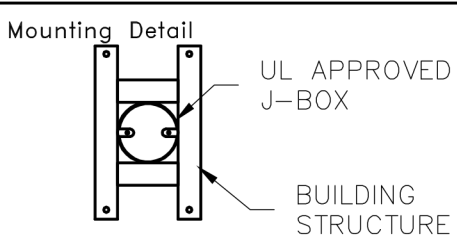
Approved By:

Product Name: BOLLA  
Product #: CHA2155



Visit [lightspann.com](http://lightspann.com) for product options and specifications.

|                                 |                               |
|---------------------------------|-------------------------------|
| Mounting Packet: B              | Electrical Type: INCANDESCENT |
| Approximate lbs.: 195           | Bulb Qty: 14 Wattage: 60      |
| Finish: SEE WEBSITE FOR OPTIONS | Voltage: 120                  |
| Top Diffuser: CLOSED GLASS      | Socket Type: MEDIUM           |
| Bottom Diffuser: OPEN           | UL Location: DRY              |



All fixtures created by Lightspann are handcrafted by artisans—dimensions may vary.

©Copyright 2013. All rights in design, detail or invention of this drawing are reserved as the property of Lightspann. Any imitation or adaptation without written consent is strictly prohibited.

**CAUTION**  
HARDWARE PACKET "B"  
MOUNTS DIRECTLY TO  
BUILDING STRUCTURE.