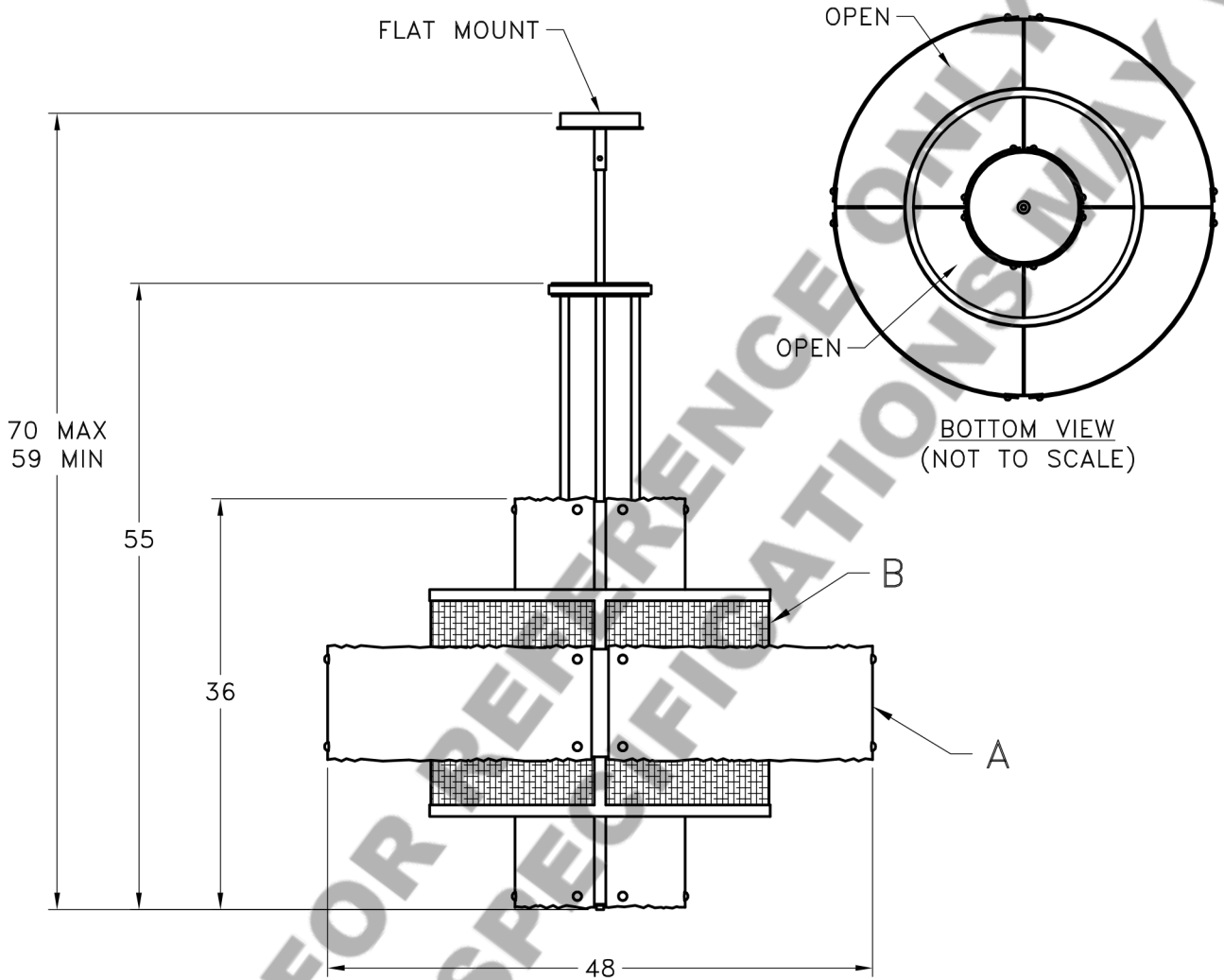
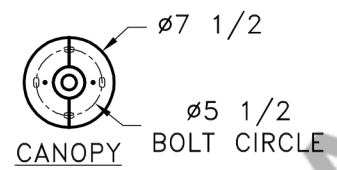


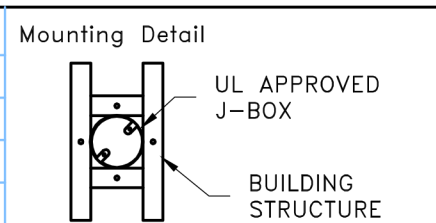
Location:

Product Name:
Product #: CHA2021



Visit lightspann.com for product options and specifications.

Mounting Style: A	Electrical Type: INCANDESCENT
Approximate lbs.: 200	Bulb Qty: 16 Wattage: 60
Finish: SEE WEB SITE FOR OPTIONS	Voltage: 120
Top Diffuser: OPEN	Socket Type: MEDIUM
Bottom Diffuser: FROSTED ACRYLIC	UL Location: DRY



All fixtures created by Lightspann are handcrafted by artisans. Dimensions may vary up to $\frac{7}{8}$ ".

©Copyright 2016. All rights in design, detail or invention of this drawing are reserved as the property of Lightspann. Any imitation or adaptation without written consent is strictly prohibited.

CAUTION
HARDWARE PACKET "A"
MOUNTS DIRECTLY TO
BUILDING STRUCTURE.