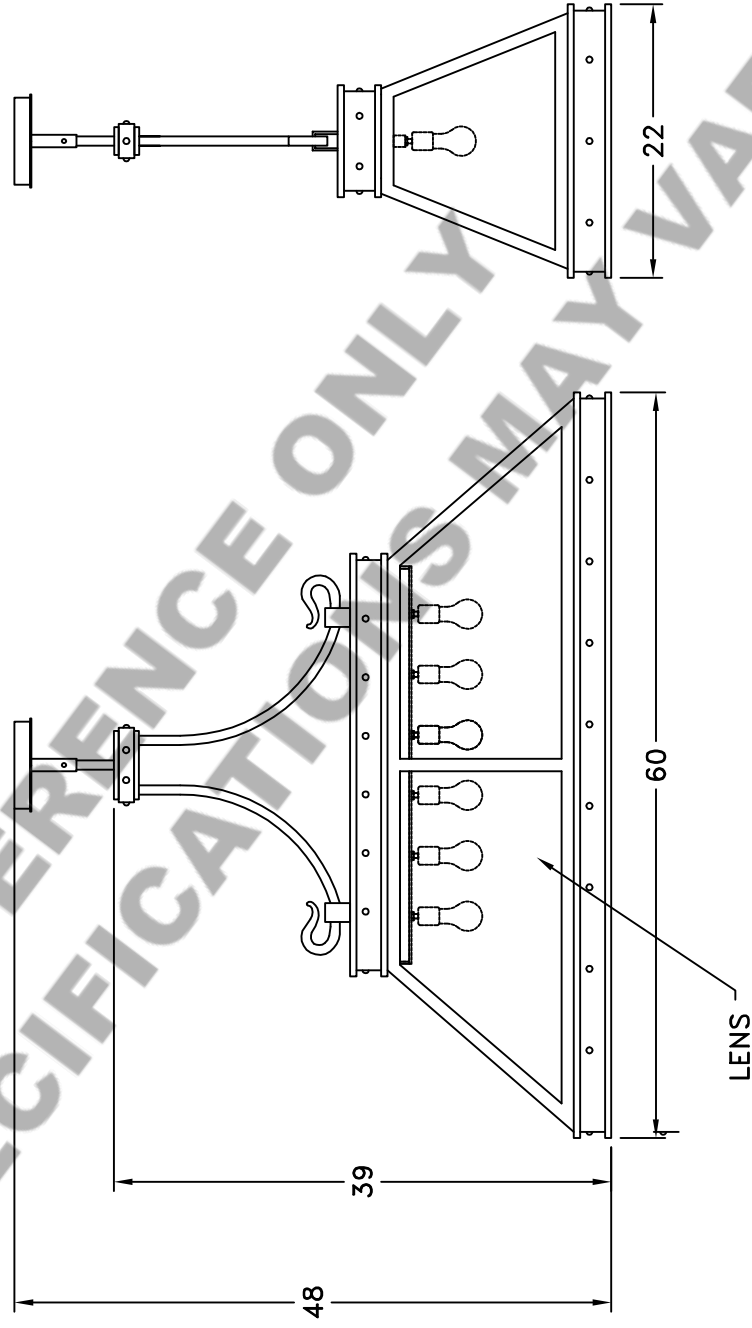
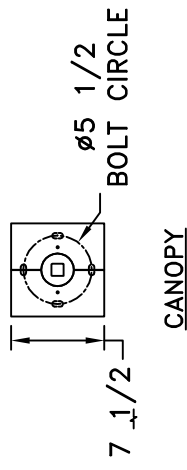


Location:

Product #: PL9272



Visit hammerton.com for product options and specifications.

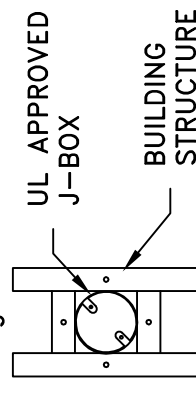
| | |
|----------------------------------|-------------------------------|
| Mounting Style: A | Electrical Type: INCANDESCENT |
| Approximate lbs.: 200 | Bulb Qty: 8 Wattage: 75 |
| Finish: SEE WEB SITE FOR OPTIONS | Voltage: 120 |
| Top Diffuser: OPEN | Socket Type: MEDIUM |
| Bottom Diffuser: SAME AS LENS | UL Location: DRY |

All fixtures created by Hammerton are handcrafted by artisans. Dimensions may vary up to 1/8".

©Copyright 2016. All rights in design, detail or invention of this drawing are reserved as the property of Hammerton. Any limitation or adaptation without written consent is strictly prohibited.

Hammerton Inc. · 217 Wright Brothers Dr. · Salt Lake City, UT 84116 · (801) 973-8095

Mounting Detail



CAUTION

HARDWARE PACKET "A"
MOUNTS DIRECTLY TO
BUILDING STRUCTURE.