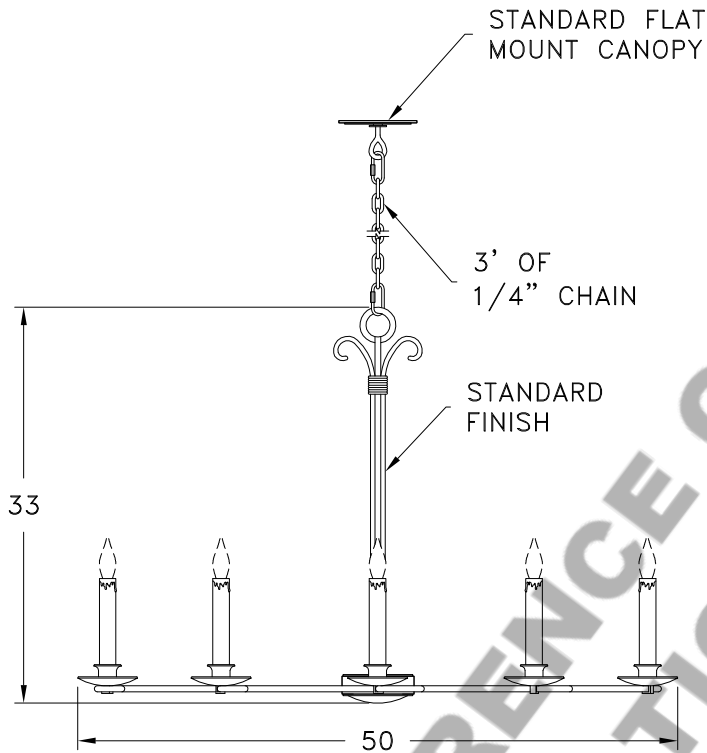


# HAMMERTON



CANOPY DETAIL



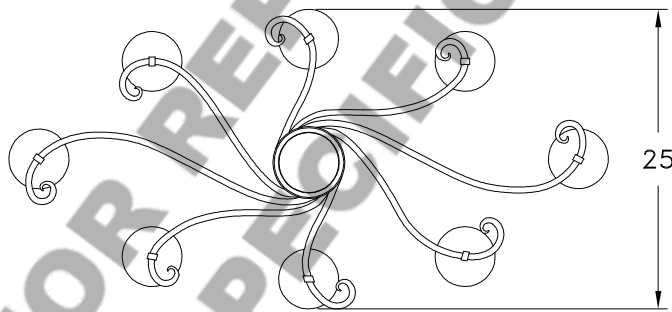
REQUIRED BLOCKING TO SUPPORT WEIGHT OF FIXTURE. BLOCKING IS REQUIRED ON ALL SIDES.

Ø6½" HAMMERTON STANDARD CANOPY. CANOPY MUST BE ATTACHED TO BUILDING STRUCTURE.

Ø5½" BOLT CIRCLE

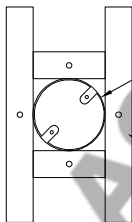
4" STANDARD JUNCTION BOX.

MOUNTING HOLES ARE AT 2¾" ON CENTER



BOTTOM VIEW

**MOUNTING SPECIFICATION NOTES:**



UL APPROVED J-BOX

BUILDING STRUCTURE

**CAUTION**

HARDWARE PACKET "A" MOUNTS DIRECTLY TO BUILDING STRUCTURE.

**ELECTRICAL SPECIFICATION NOTES:**



ELECTRICAL: 8-40 WATT MAX  
CANDELABRA BASE  
120v TYPICAL

Light Bulb NOT Included

CATALOG # PL9199

APPROXIMATE WEIGHT: 175Lbs.

HARDWARE PACKET: A

SHADE MATERIAL : N/A

UL RATING: DRY

DIMENSION TOLERANCE ±7/8".

[www.hammerton.com](http://www.hammerton.com)

© Copyright 2006, All rights in design, detail or invention of this drawing are reserved as the property of Hammerton. Any imitation or adaptation without written consent is strictly prohibited.