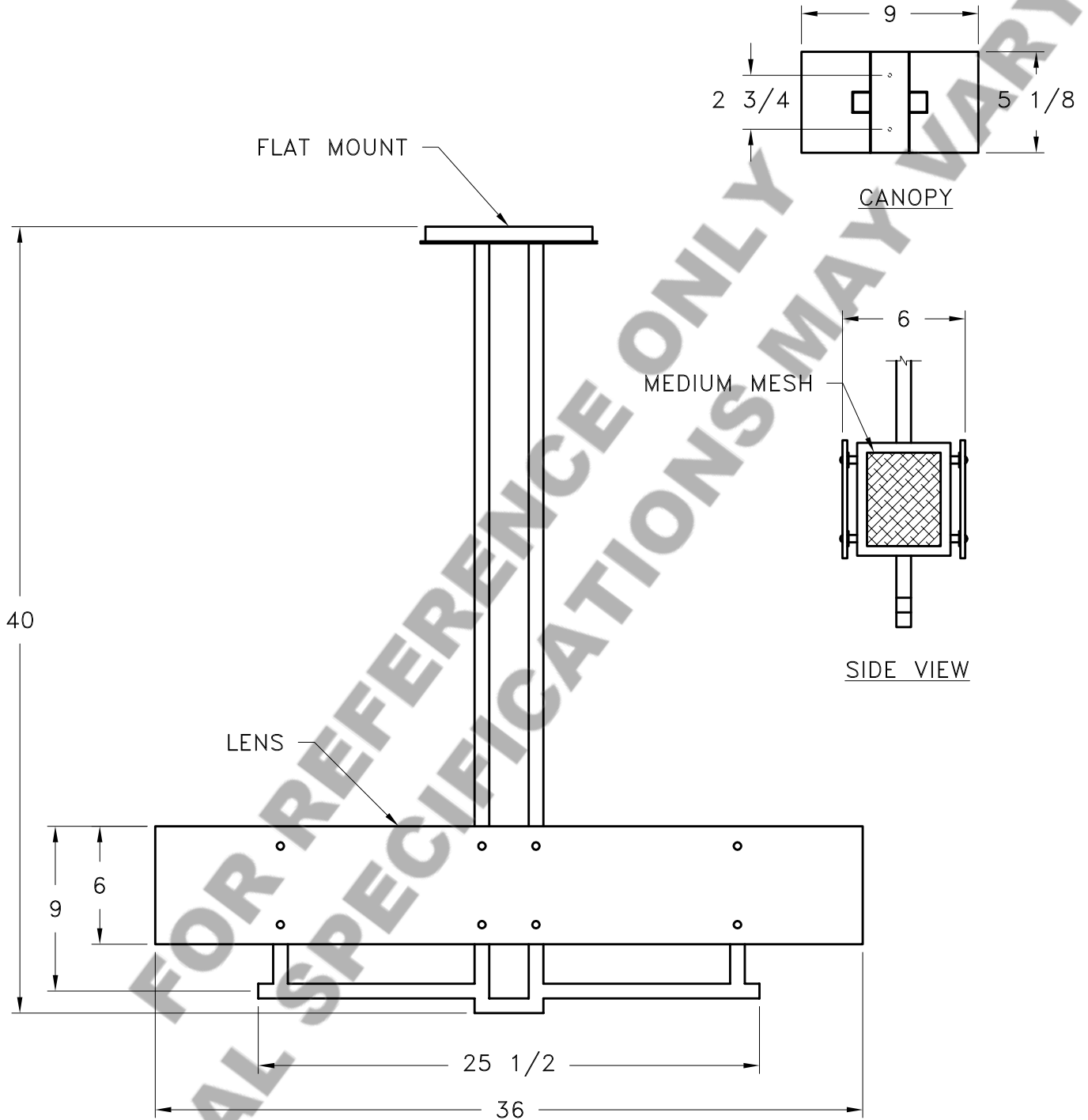
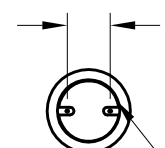


Location:

Product #: PL2099



Visit hammerton.com for product options and specifications.

Mounting Style: J	Electrical Type: INCANDESCENT	Mounting Detail  2 3/4 O.C. UL APPROVED J-BOX
Approximate lbs.: 25	Bulb Qty: 4 Wattage: 75	
Finish: SEE WEB SITE FOR OPTIONS	Voltage: 120	
Top Diffuser: OPEN	Socket Type: MEDIUM	
Bottom Diffuser: OPEN	UL Location: DRY	

All fixtures created by Hammerton are handcrafted by artisans. Dimensions may vary up to 7/8".

©Copyright 2013. All rights in design, detail or invention of this drawing are reserved as the property of Hammerton. Any imitation or adaptation without written consent is strictly prohibited.

Hammerton Inc. · 217 Wright Brothers Dr. · Salt Lake City, UT 84116 · (801) 973-8095

CAUTION
HARDWARE PACKET "J"
MOUNTS DIRECTLY TO
J-BOX.