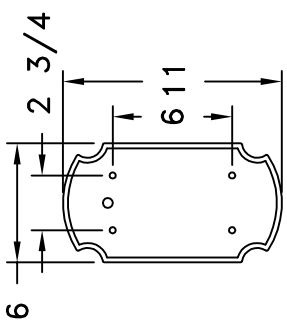


HAMMERTON

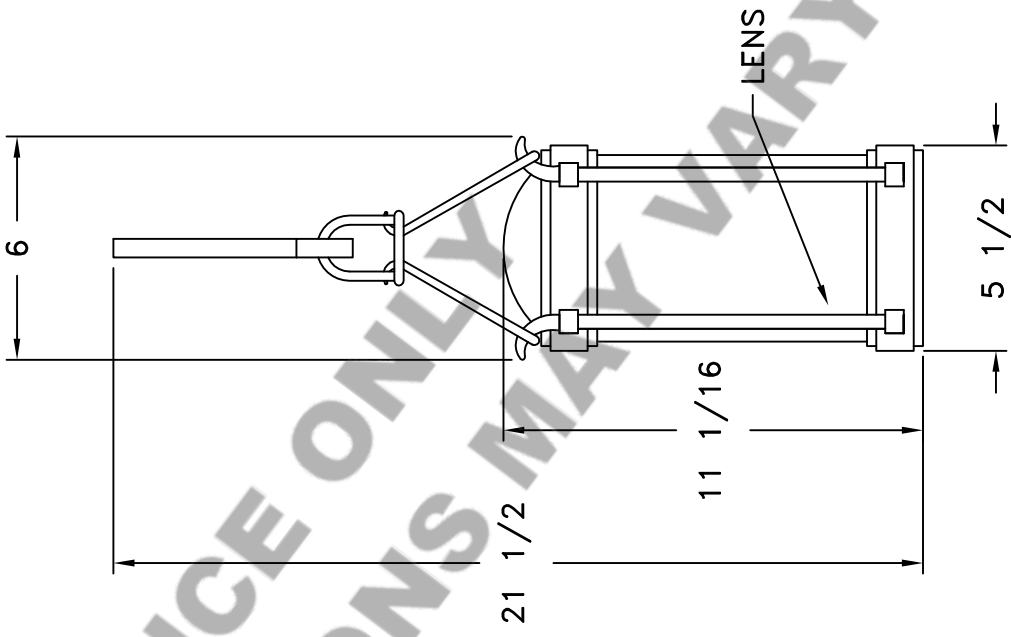
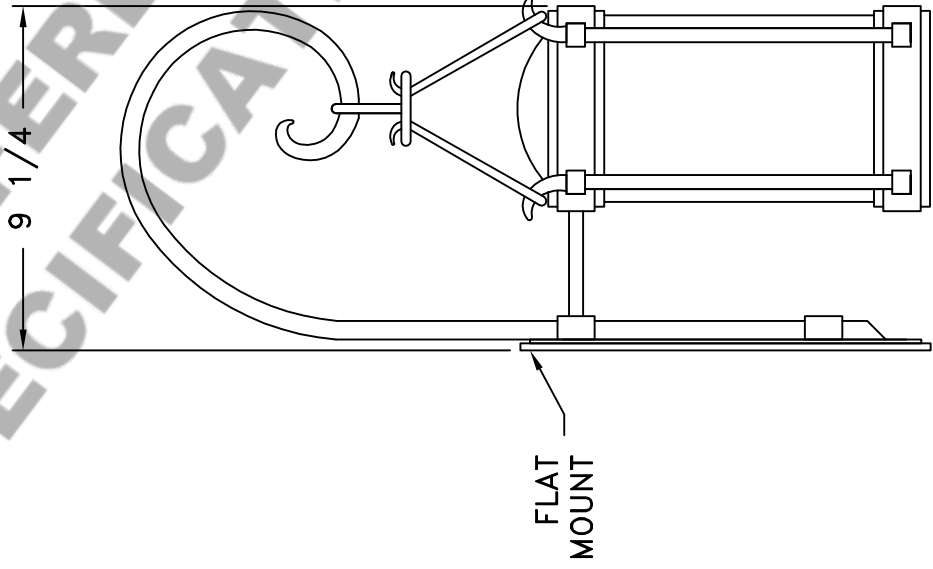
SPECIFICATION DRAWING

Location:

Product #: OD91119



MOUNTING DETAIL
NOT TO SCALE



Visit [hammeron.com](http://www.hammeron.com) for product options and specifications.

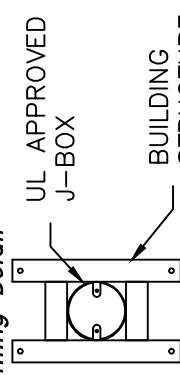
Mounting Style: J	Electrical Type: INCANDESCENT
Approximate lbs.: 35	Bulb Qty: 1 Wattage: 100
Finish: SEE WEB SITE FOR OPTIONS	Voltage: 120
Top Diffuser: CLOSED	Socket Type: MEDIUM
Bottom Diffuser: OPEN	UL Location: DAMP

All fixtures created by Hammeron are handcrafted by artisans. Dimensions may vary up to 1/8".

© Copyright 2013. All rights in design, detail or invention of this drawing are reserved as the property of Hammeron. Any imitation or adaptation without written consent is strictly prohibited.

Hammeron Inc. · 217 Wright Brothers Dr. · Salt Lake City, UT 84116 · (801) 973-8095

Mounting Detail



CAUTION

HARDWARE PACKET "C"
MOUNTS DIRECTLY TO
BUILDING STRUCTURE.