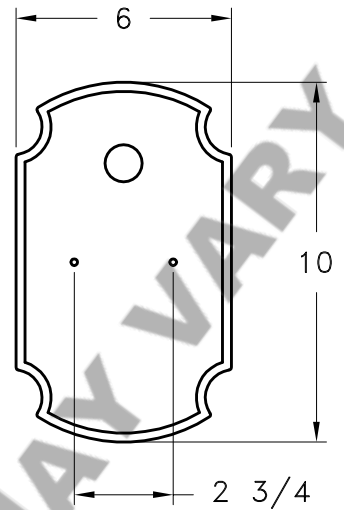
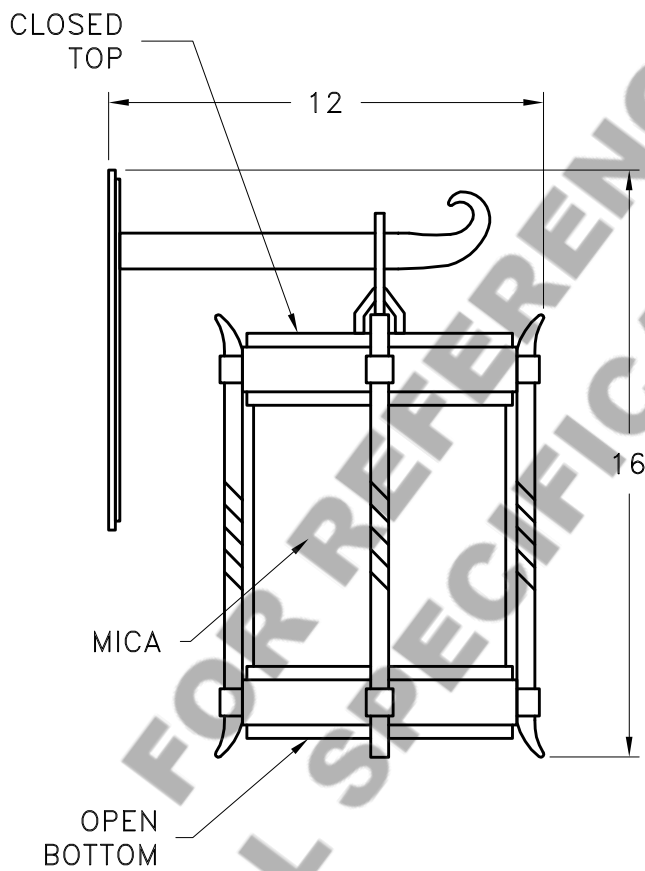


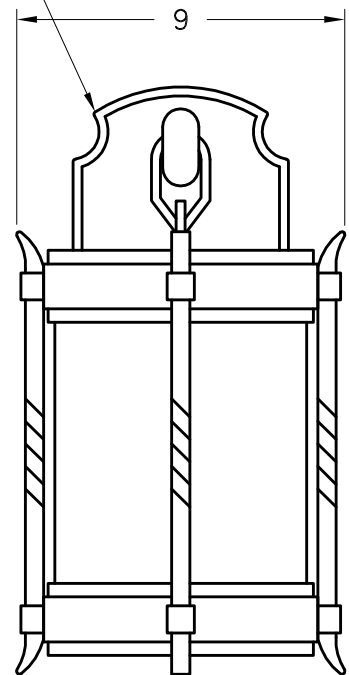
HAMMERTON



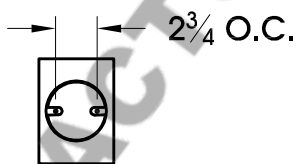
MOUNTING DETAIL



STANDARD FINISH



MOUNTING SPECIFICATION NOTES:



CAUTION
HARDWARE PACKET "D" MOUNTS DIRECTLY TO J-BOX.

ELECTRICAL SPECIFICATION NOTES:



**ELECTRICAL: 1-100 WATT MAX
EDISON BASE
120v TYPICAL**

Light Bulb NOT Included

CATALOG # OD9046

APPROXIMATE WEIGHT: 14 Lbs.

HARDWARE PACKET: D

SHADE MATERIAL : MICA

UL RATING: DAMP

DIMENSION TOLERANCE ±7/8".

www.hammerton.com

© Copyright 2006, All rights in design, detail or invention of this drawing are reserved as the property of Hammerton. Any imitation or adaptation without written consent is strictly prohibited.