

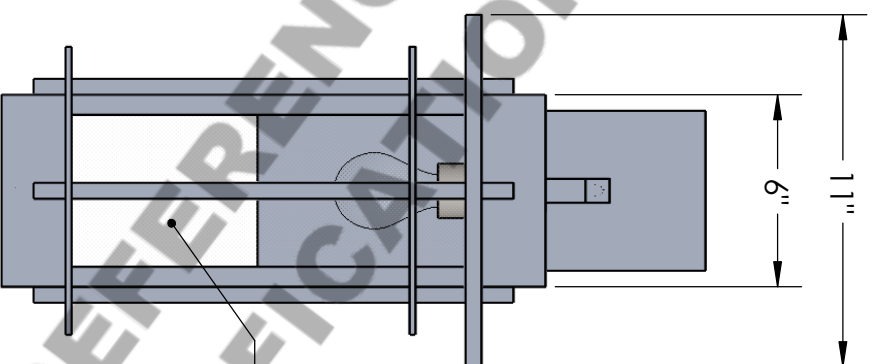
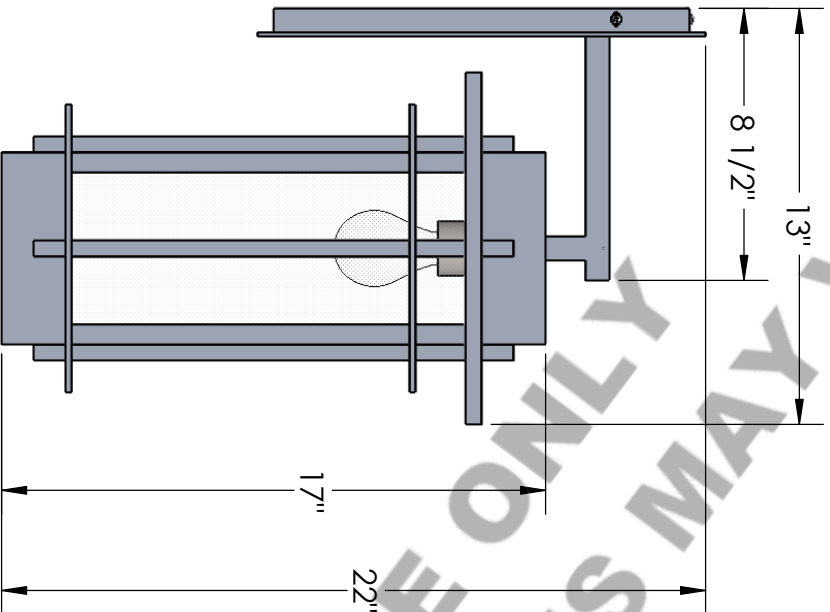
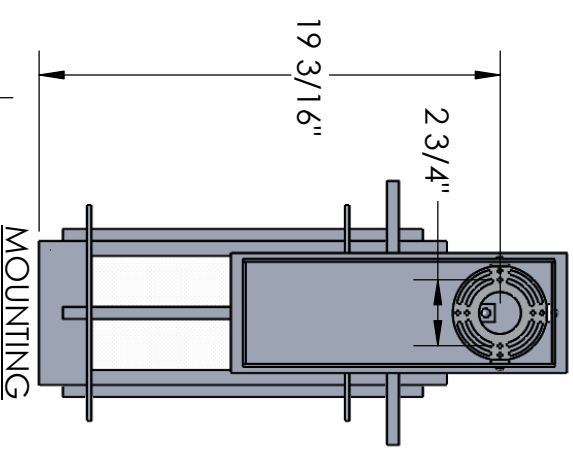
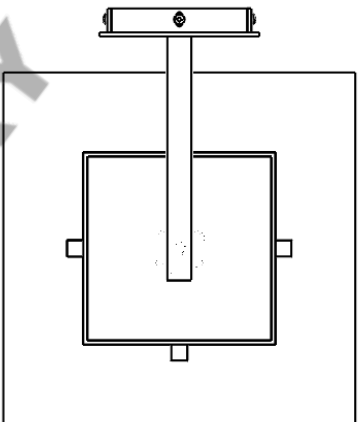
# HAMMERERTON

# SPECIFICATION DRAWING

Approved By:

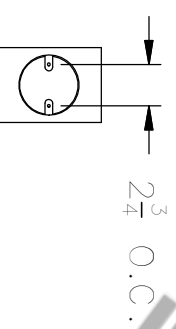
Product #: OD2178

Date:8/18/2016



Mounting Style: FLAT	Electrical Type: INCANDESCENT
Approximate lbs.: 17	Bulb Qty: 1 Wattage: 100
Finish:SEE WEBSITE FOR OPTIONS	Voltage:120
Top Diffuser: CLOSED	Socket Type:MEDIUM
Bottom Diffuser:SEE WEBSITE FOR OPTIONS	Location: WET
All fixtures created by Hammeron are handcrafted by artisans—dimensions may vary.	
© Copyright 2015. All rights in design, detail or invention of this drawing are reserved as the property of Hammeron. Any imitation or adaptation without written consent is strictly prohibited.	
Hammeron Inc. • 217 Wright Brothers Dr. Salt Lake City, UT 84116 (801) 973-8095	

### Mounting Detail



### CAUTION

HARDWARE PACKET "D"  
MOUNTS DIRECTLY TO  
J-BOX.