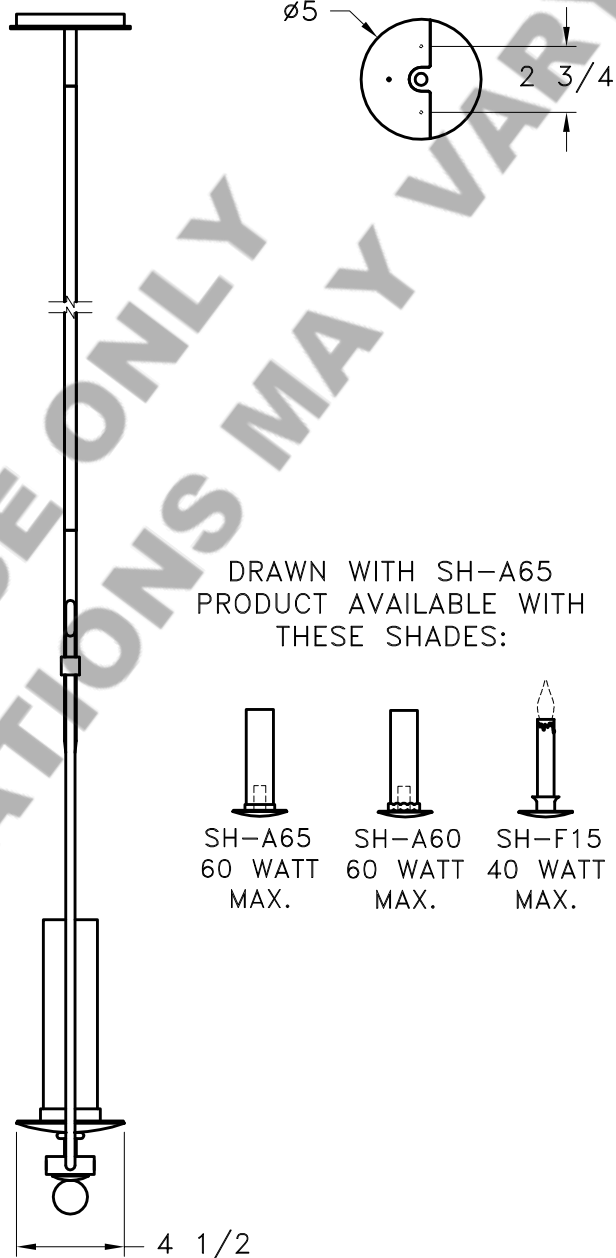
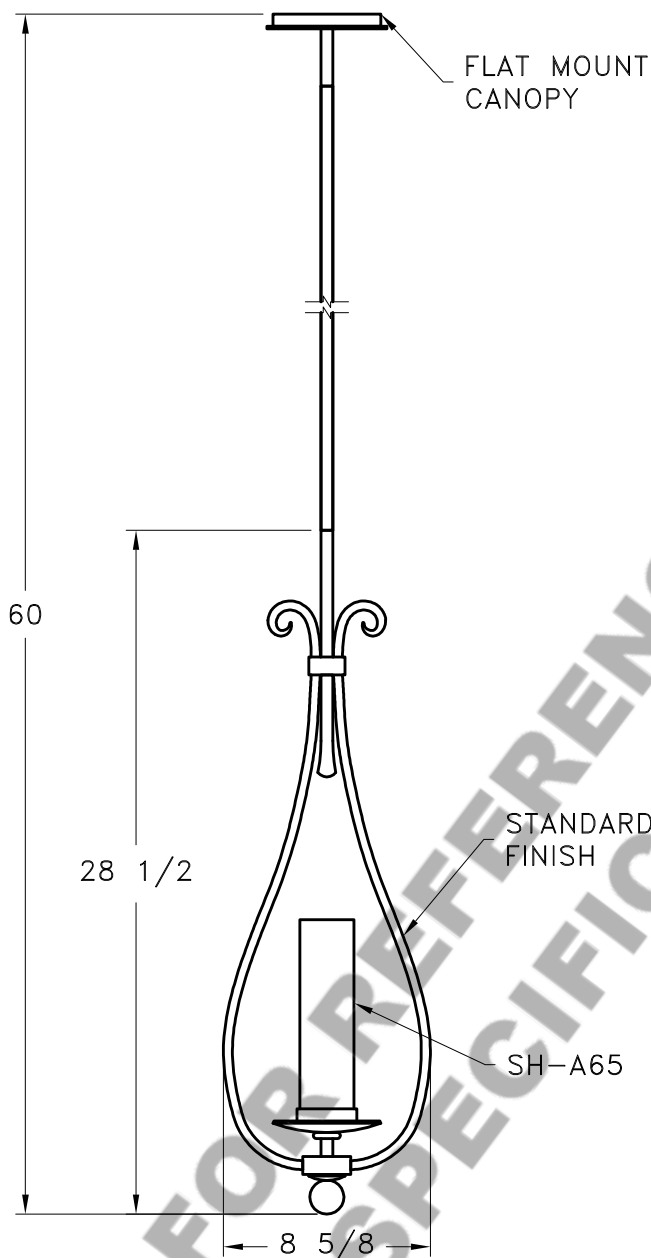
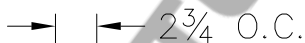


# HAMMERTON



**MOUNTING SPECIFICATION NOTES:**



UL APPROVED  
J-BOX

**CAUTION**

**HARDWARE PACKET "J"  
MOUNTS DIRECTLY TO  
J-BOX.**

**ELECTRICAL SPECIFICATION NOTES:**



**ELECTRICAL: 40/60 WATT MAX  
CANDELABRA BASE  
120v TYPICAL  
SPT1 WIRE TYPE B BULB**

CATALOG #LA9232

APPROXIMATE WEIGHT: 15 Lbs.

HARDWARE PACKET: J

SHADE OPTIONS : A65,A60,F15

UL RATING: DRY

All of the fixtures created by Hammerton are hand crafted by artisans—dimensions may vary.

© Copyright 2010: All rights in design, detail or invention of this drawing are reserved as the property of Hammerton. Any imitation or adaptation without written consent is strictly prohibited.

www.hammerton.com