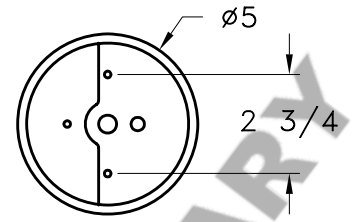


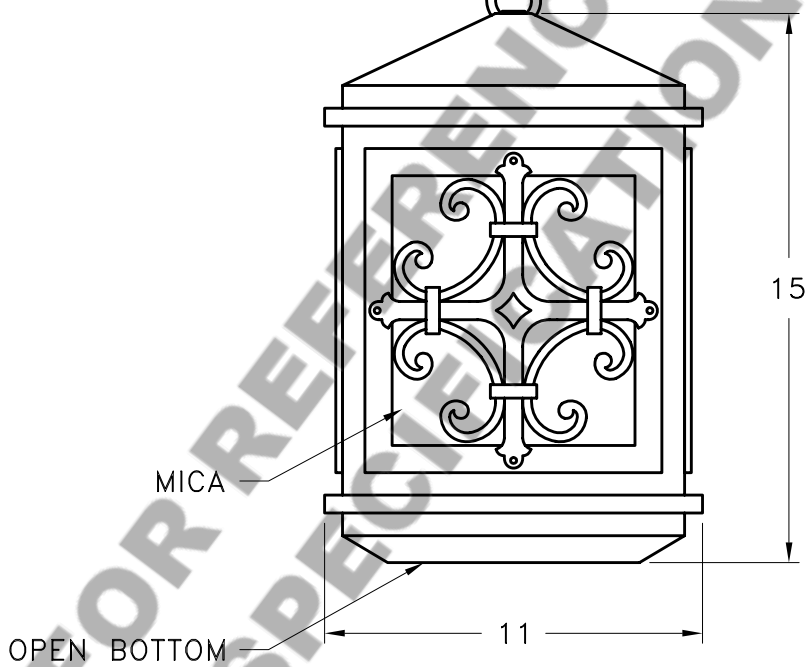
# HAMMERTON



MOUNTING DETAIL

STANDARD FLAT MOUNT CANOPY

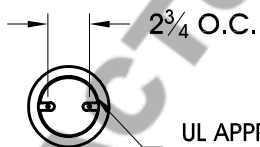
36" OF 1/4" CHAIN



MICA

OPEN BOTTOM

**MOUNTING SPECIFICATION NOTES:**



UL APPROVED J-BOX

**CAUTION**

HARDWARE PACKET "J" MOUNTS DIRECTLY TO J-BOX.

**ELECTRICAL SPECIFICATION NOTES:**



**ELECTRICAL: 1-100 WATT MAX  
EDISON BASE  
120v TYPICAL**

Light Bulb NOT Included

CATALOG # LA9152

APPROXIMATE WEIGHT: 24 Lbs.

HARDWARE PACKET: J

SHADE MATERIAL : MICA

UL RATING: DAMP

DIMENSION TOLERANCE ± 7/8".

[www.hammerton.com](http://www.hammerton.com)

© Copyright 2006, All rights in design, detail or invention of this drawing are reserved as the property of Hammerton. Any limitation or adaptation without written consent is strictly prohibited.