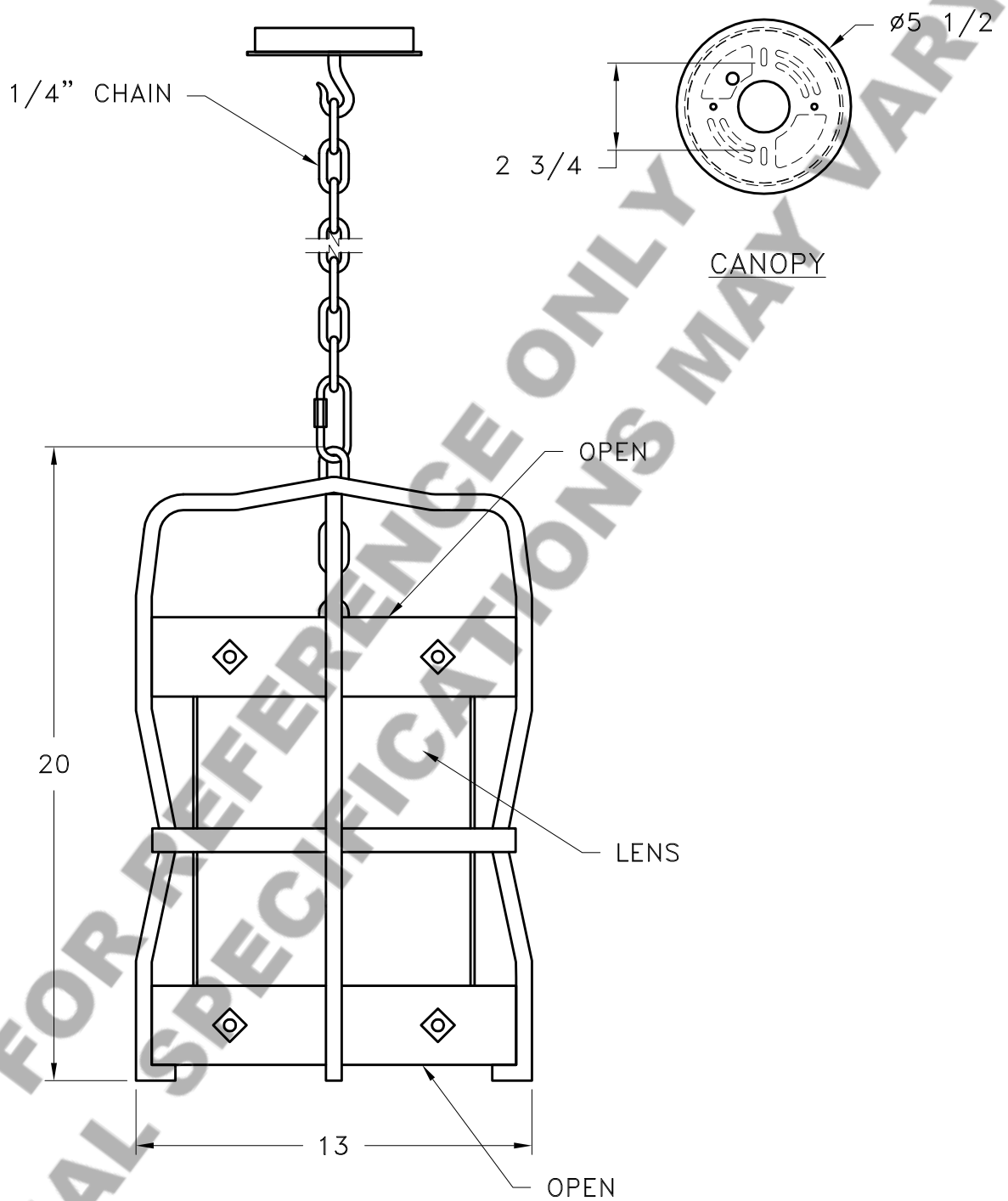
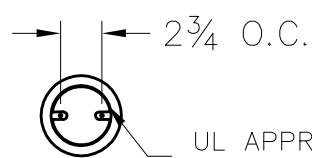


Location:

Product #: LA9044-M



Visit hammerton.com for product options and specifications.

Mounting Style: FLAT	Electrical Type: INCANDESCENT	<p>Mounting Detail</p>  <p>UL APPROVED J-BOX</p> <p>CAUTION HARDWARE PACKET "J" MOUNTS DIRECTLY TO J-BOX.</p>
Approximate lbs.: 28	Bulb Qty: 1 Wattage: 100	
Finish: SEE WEB SITE FOR OPTIONS	Voltage: 120	
Top Diffuser: OPEN	Socket Type: MEDIUM	
Bottom Diffuser: OPEN	UL Location: DRY	
All fixtures created by Hammerton are handcrafted by artisans. Dimensions may vary up to 7/8".		
©Copyright 2012. All rights in design, detail or invention of this drawing are reserved as the property of Hammerton. Any imitation or adaptation without written consent is strictly prohibited.		
Hammerton Inc. · 217 Wright Brothers Dr. · Salt Lake City, UT 84116 · (801) 973-8095		