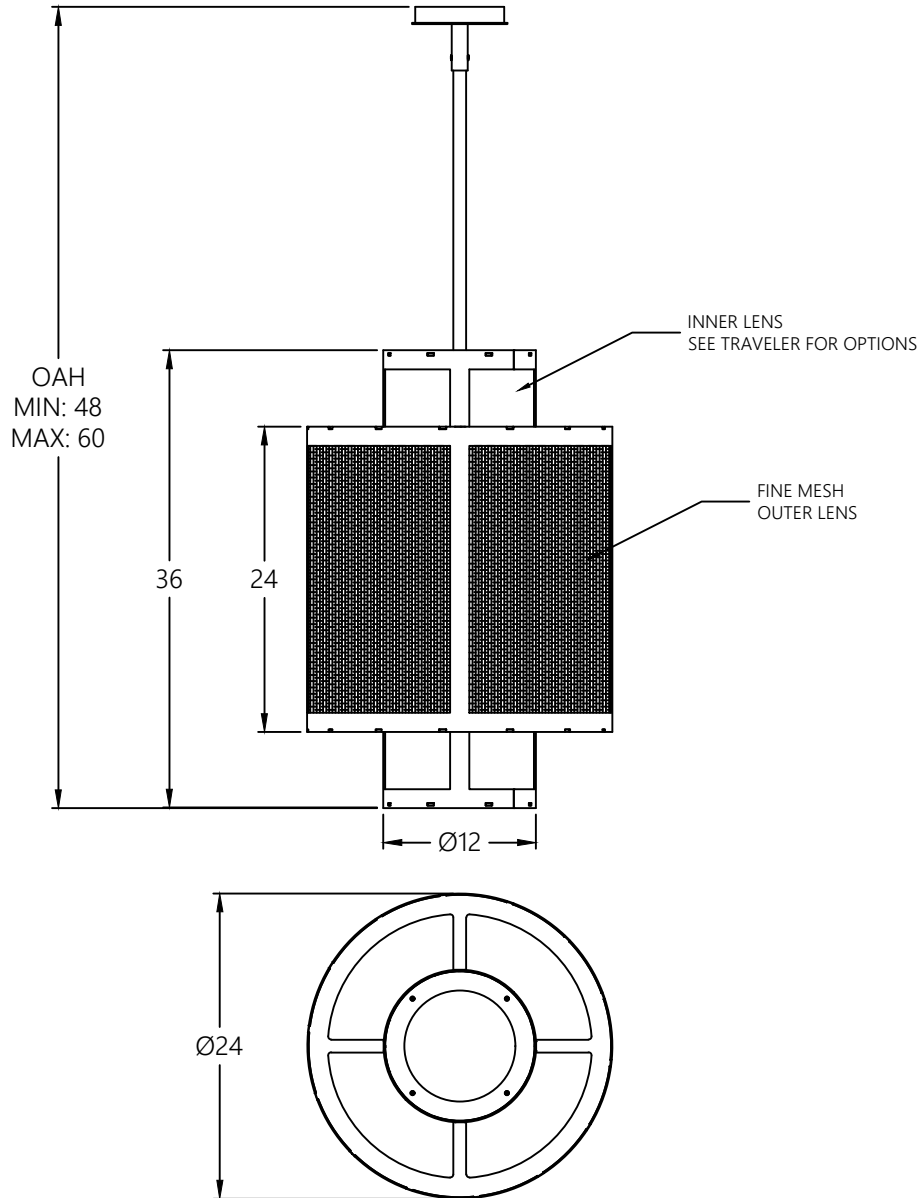


Approved By:

Product #: LA2285

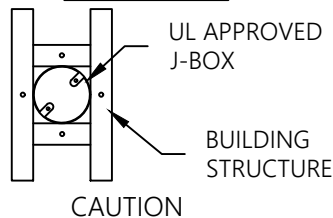
Date: 1/8/2024



### LED INFORMATION

Electrical Type: LED RETROFIT  
 Socket Type: E26  
 Voltage: 120  
 Electrical Qty: 2  
 Wattage: 13  
 Weight: 120-135 lbs.  
 Finish: SEE TRAVELER  
 Top Diffuser: OPEN  
 Bottom Diffuser: SAME AS LENS  
 UL Location: DRY

### Mounting Detail

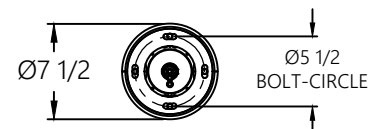


CEILING CUSTOM HARDWARE PACKET MOUNTS DIRECTLY TO BUILDING STRUCTURE.

All fixtures created by Hammerton are handcrafted by artisans—dimensions may vary.

© Copyright 2024. All rights in design, detail or invention of this drawing are reserved as the property of Hammerton. Any imitation or adaptation without written consent is strictly prohibited.

### Critical Canopy Dimensions



DIMENSIONS MAY VARY BY  $\pm \frac{7}{8}$ " UNLESS OTHERWISE SPECIFIED

Finish Note: Due to the nature of our hand-applied premium artisan finishes and materials used in product construction, subtle variations may be present within each product.