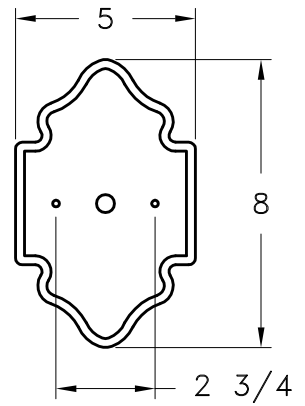
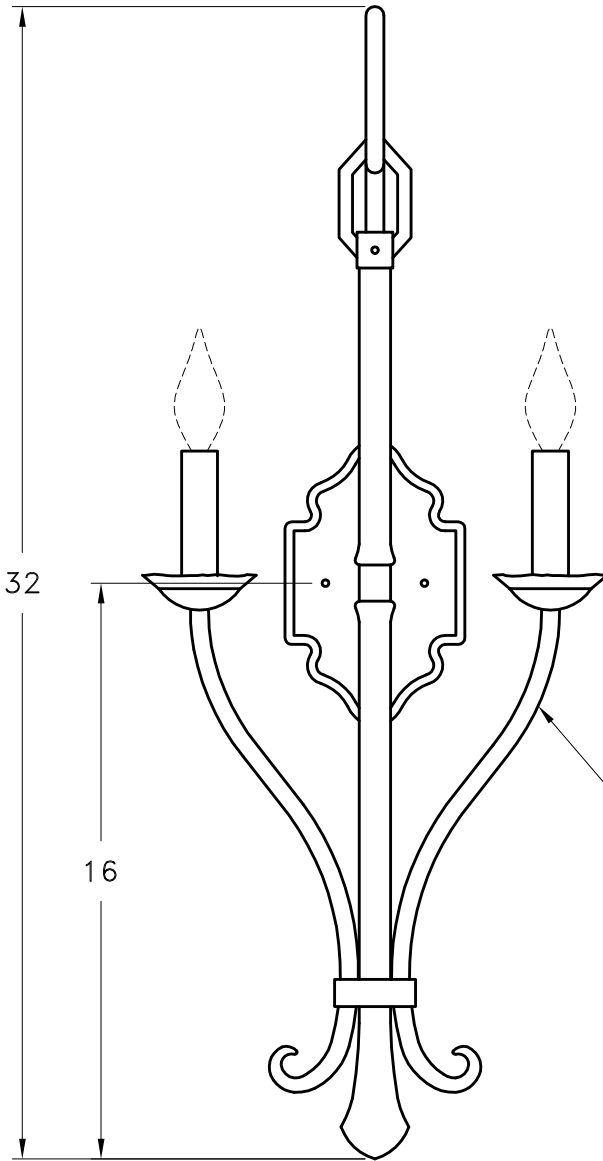
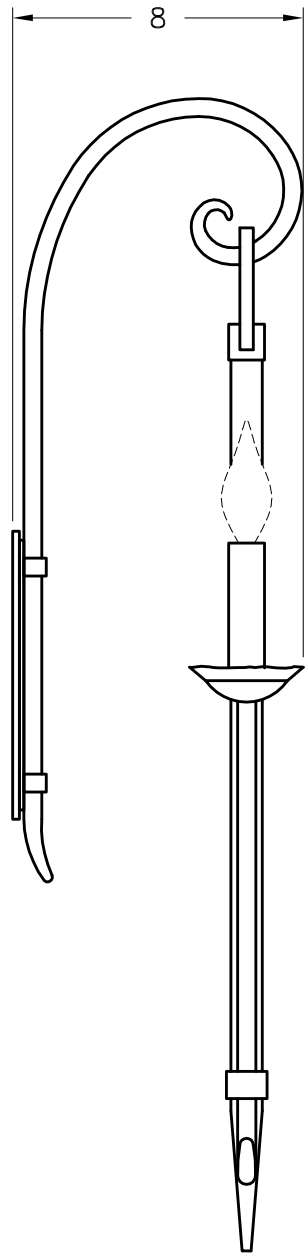


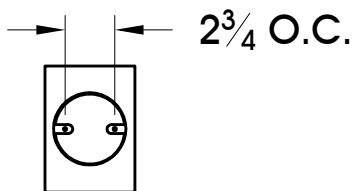
# HAMMERTON



MOUNTING DETAIL

STANDARD FINISH

MOUNTING SPECIFICATION NOTES:



**CAUTION**  
HARDWARE PACKET "D" MOUNTS  
DIRECTLY TO J-BOX.

ELECTRICAL SPECIFICATION NOTES:



**ELECTRICAL: 2 - 40 WATT MAX  
CANDELABRA BASE  
120v TYPICAL**

Light Bulb NOT Included

CATALOG # ID9211

APPROXIMATE WEIGHT: 20 Lbs.

HARDWARE PACKET: D

SHADE MATERIAL : N/A

UL RATING: DRY

DIMENSION TOLERANCE ±7/8".

[www.hammerton.com](http://www.hammerton.com)

© Copyright 2006, All rights in design, detail or invention of this drawing are reserved as the property of Hammerton. Any imitation or adaptation without written consent is strictly prohibited.