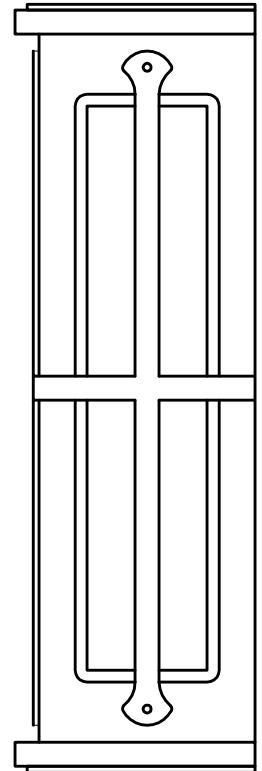
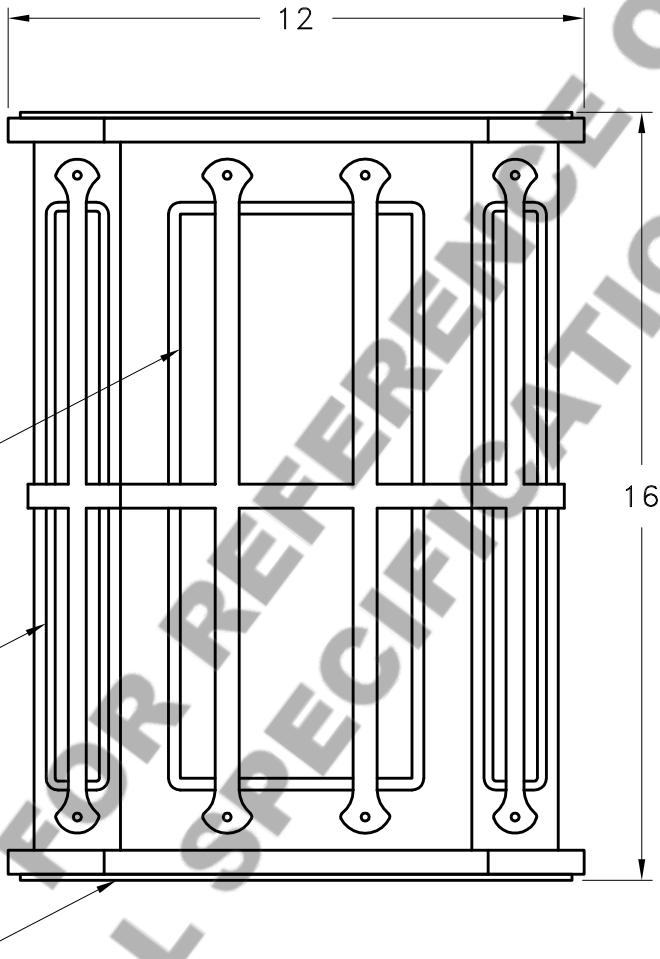
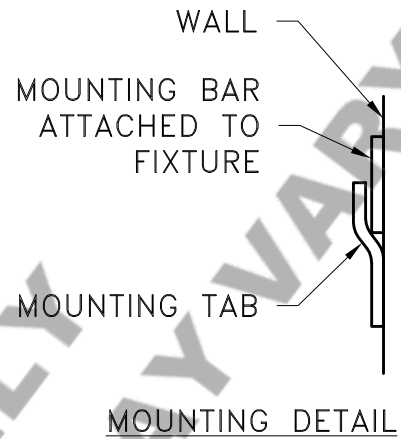
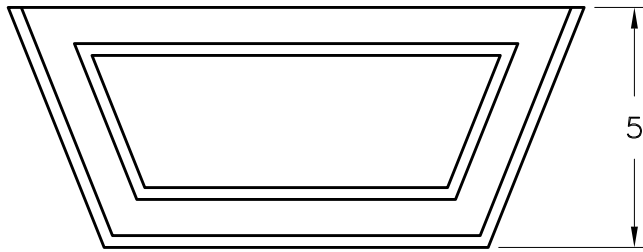


# HAMMERTON



**MOUNTING SPECIFICATION NOTES:**

2<sup>3</sup>/<sub>4</sub> O.C.

UL APPROVED J-BOX

**CAUTION**  
HARDWARE PACKET "E" MOUNTS DIRECTLY TO J-BOX.

**ELECTRICAL SPECIFICATION NOTES:**

**ELECTRICAL: 2-75 WATT MAX  
EDISON BASE  
120v TYPICAL**

Light Bulb NOT Included

CATALOG # CS9217

APPROXIMATE WEIGHT: 20 Lbs.

HARDWARE PACKET: E

SHADE MATERIAL : MICA

UL RATING: DRY

DIMENSION TOLERANCE ±7/8".

[www.hammerton.com](http://www.hammerton.com)

© Copyright 2006, All rights in design, detail or invention of this drawing are reserved as the property of Hammerton. Any imitation or adaptation without written consent is strictly prohibited.