

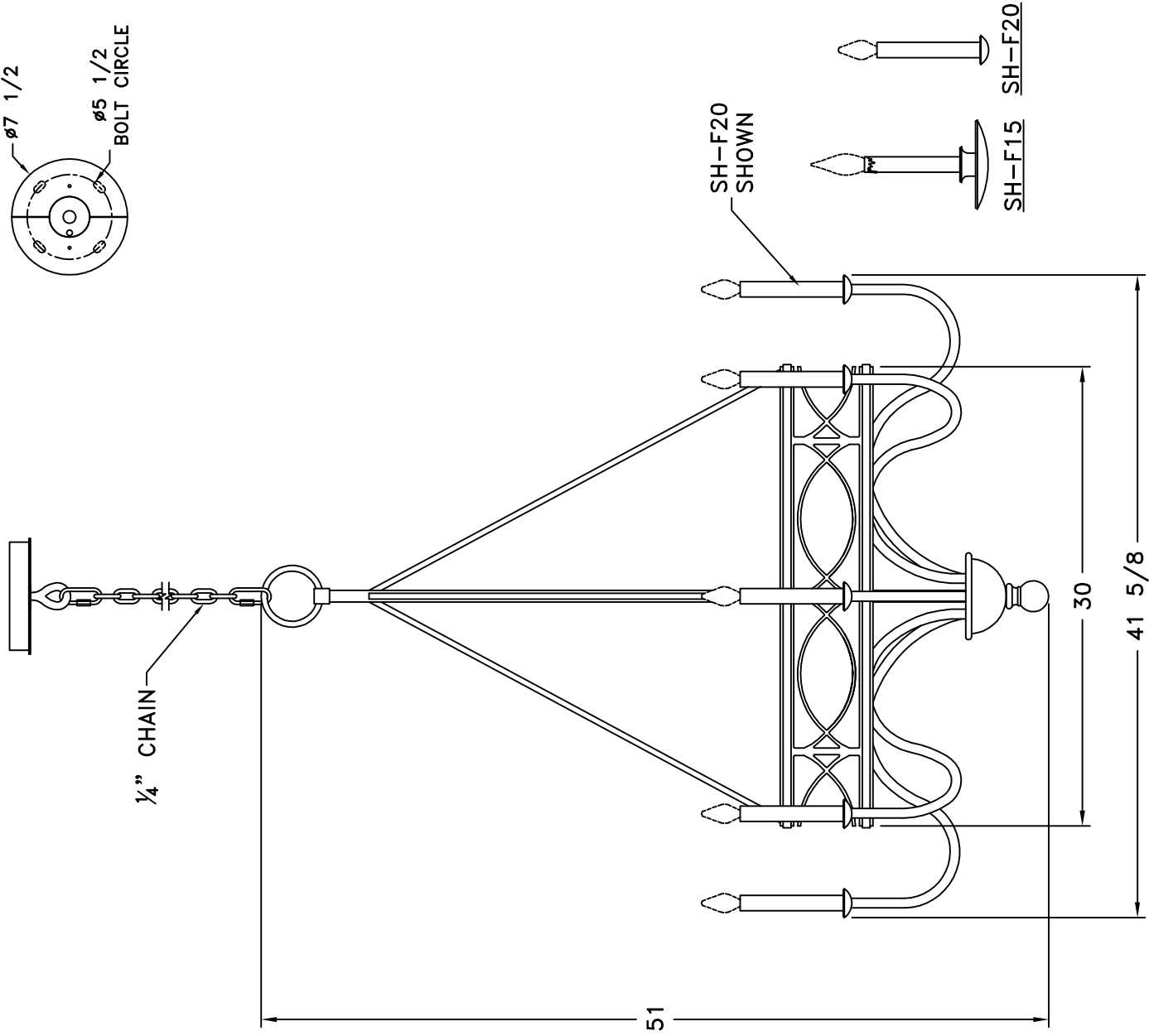
# HAMMERTON

# SPECIFICATION DRAWING

Approved By:

Product #: CH9236

Date: 10/29/13



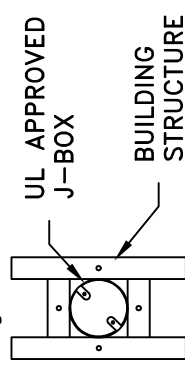
<b>Mounting Style:</b> FLAT	<b>Electrical Type:</b> INCANDESCENT
<b>Approximate lbs.:</b> 65	<b>Bulb Qty:</b> 8 <b>Wattage:</b> 40
<b>Finish:</b> SEE WEBSITE FOR OPTIONS	<b>Voltage:</b> 120
<b>Top Diffuser:</b> N/A	<b>Socket Type:</b> CANDELABRA
<b>Bottom Diffuser:</b> N/A	<b>UL Location:</b> DRY

All fixtures created by Hammerton are handcrafted by artisans—dimensions may vary.

© Copyright 2013. All rights in design, detail or invention of this drawing are reserved as the property of Hammerton. Any limitation or adaptation without written consent is strictly prohibited.

Hammerton Inc. · 217 Wright Brothers Dr. · Salt Lake City, UT 84116 · (801) 973-8095

### Mounting Detail



**CAUTION**

HARDWARE PACKET "A"  
MOUNTS DIRECTLY TO  
BUILDING STRUCTURE.