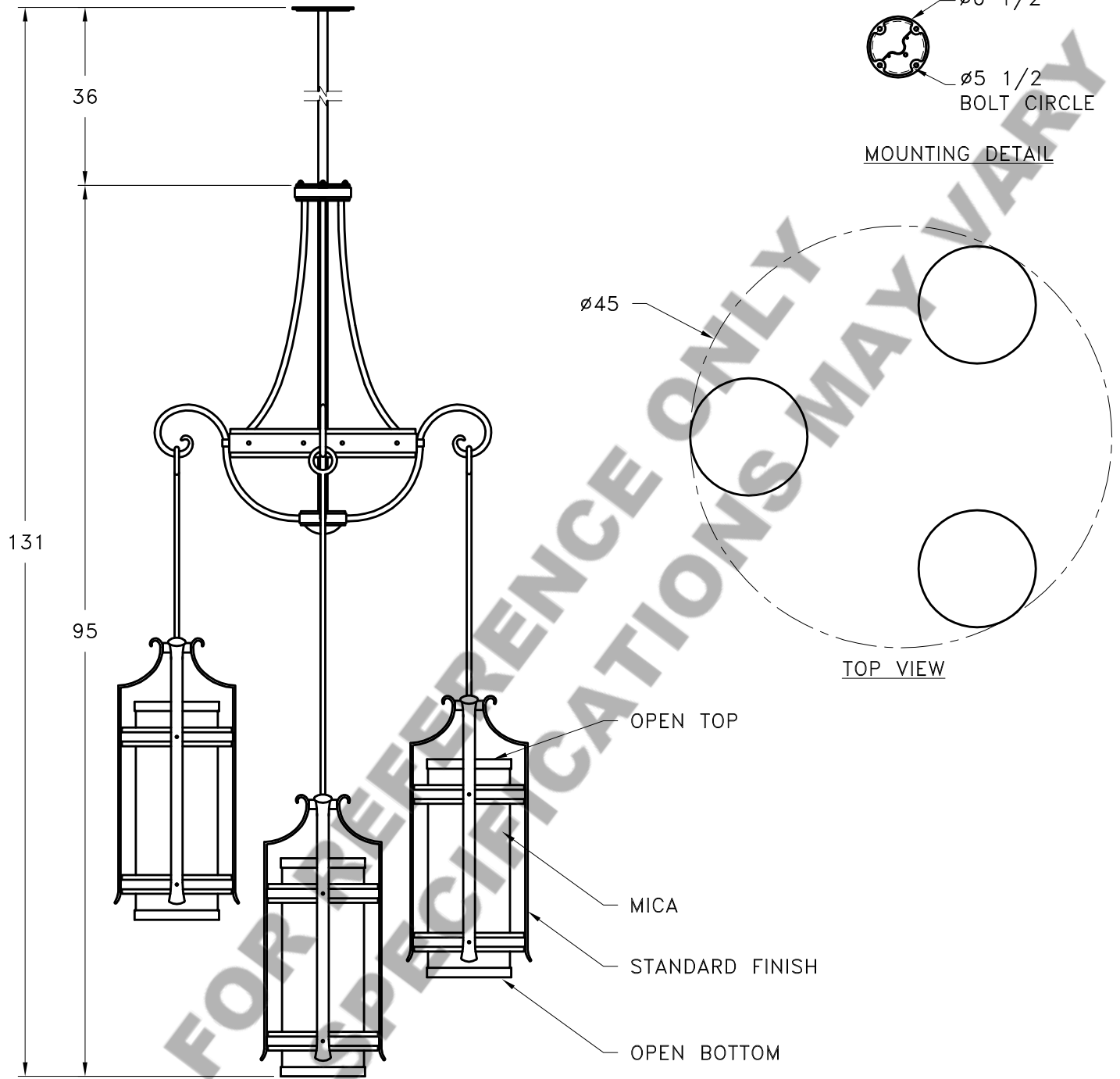
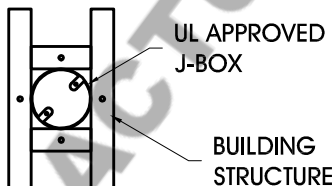


HAMMERTON



MOUNTING SPECIFICATION NOTES:



CAUTION

HARDWARE PACKET "A" MOUNTS DIRECTLY TO BUILDING STRUCTURE.

ELECTRICAL SPECIFICATION NOTES:



**ELECTRICAL: 3-75 WATT MAX
EDISON BASE
120v TYPICAL**

Light Bulb NOT Included

CATALOG # CH9206

APPROXIMATE WEIGHT: 250lbs.

HARDWARE PACKET: A

SHADE MATERIAL : MICA

UL RATING: DRY

DIMENSION TOLERANCE ±7/8".

www.hammerton.com

© Copyright 2006, All rights in design, detail or invention of this drawing are reserved as the property of Hammerton. Any imitation or adaptation without written consent is strictly prohibited.