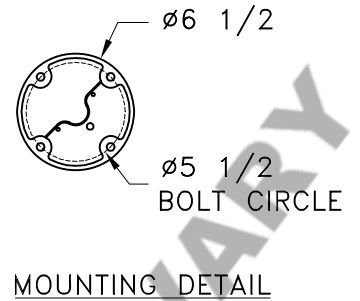
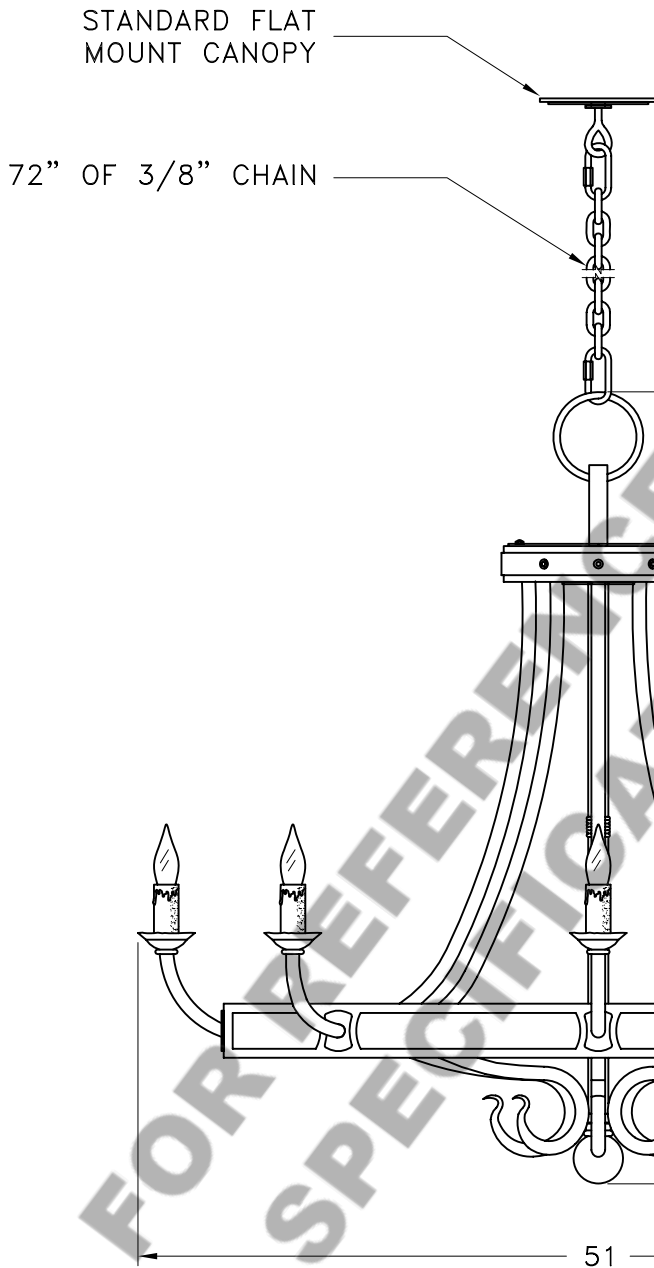
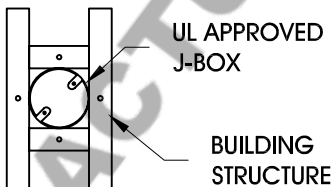


# HAMMERTON



**MOUNTING SPECIFICATION NOTES:**



**CAUTION**

HARDWARE PACKET "A" MOUNTS DIRECTLY TO BUILDING STRUCTURE.

**ELECTRICAL SPECIFICATION NOTES:**



**ELECTRICAL: 8 - 40 WATT MAX  
EDISON BASE  
120v TYPICAL**

Light Bulb NOT Included

**CATALOG # CH9144**

**APPROXIMATE WEIGHT: 110 Lbs.**

**HARDWARE PACKET: A**

**SHADE MATERIAL : N/A**

**UL RATING: DRY**

**DIMENSION TOLERANCE ± 7/8".**

[www.hammerton.com](http://www.hammerton.com)

© Copyright 2006, All rights in design, detail or invention of this drawing are reserved as the property of Hammerton. Any imitation or adaptation without written consent is strictly prohibited.