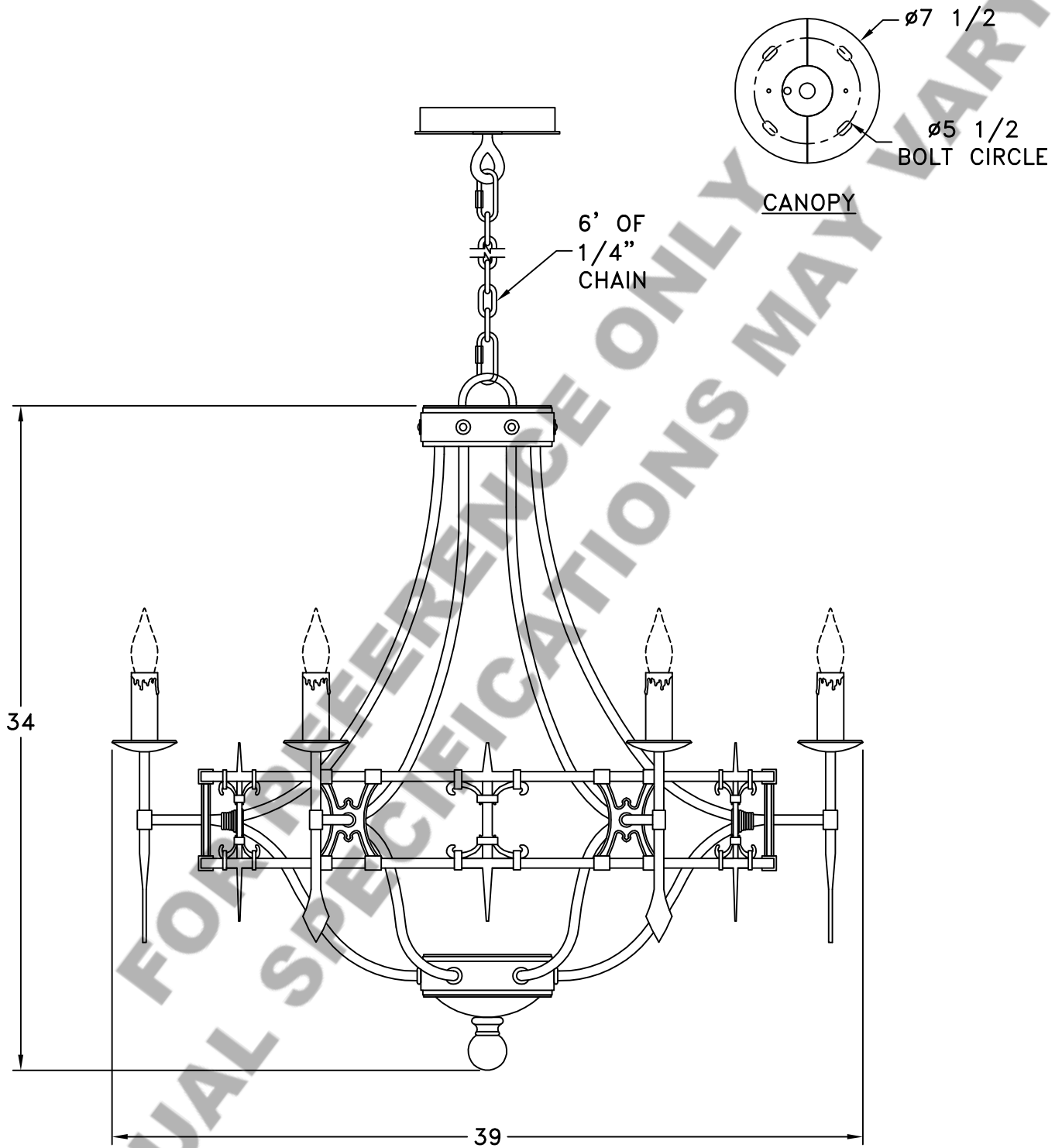
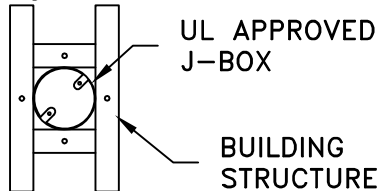


Approved By:

Product #: CH9078

Date: 3/10/16



Mounting Style: A	Electrical Type: INCANDESCENT	<b>Mounting Detail</b>  UL APPROVED J-BOX BUILDING STRUCTURE <b>CAUTION</b> HARDWARE PACKET "A" MOUNTS DIRECTLY TO BUILDING STRUCTURE.
Approximate lbs.: 50	Bulb Qty: 6 Wattage: 60	
Finish: SEE TRAVELER	Voltage: 120	
Top Diffuser: N/A	Socket Type: MEDIUM	
Bottom Diffuser: N/A	UL Location: DRY	
All fixtures created by Hammerton are handcrafted by artisans—dimensions may vary.		
©Copyright 2016. All rights in design, detail or invention of this drawing are reserved as the property of Hammerton. Any imitation or adaptation without written consent is strictly prohibited.		
Hammerton Inc. · 217 Wright Brothers Dr. · Salt Lake City, UT 84116 · (801) 973-8095		