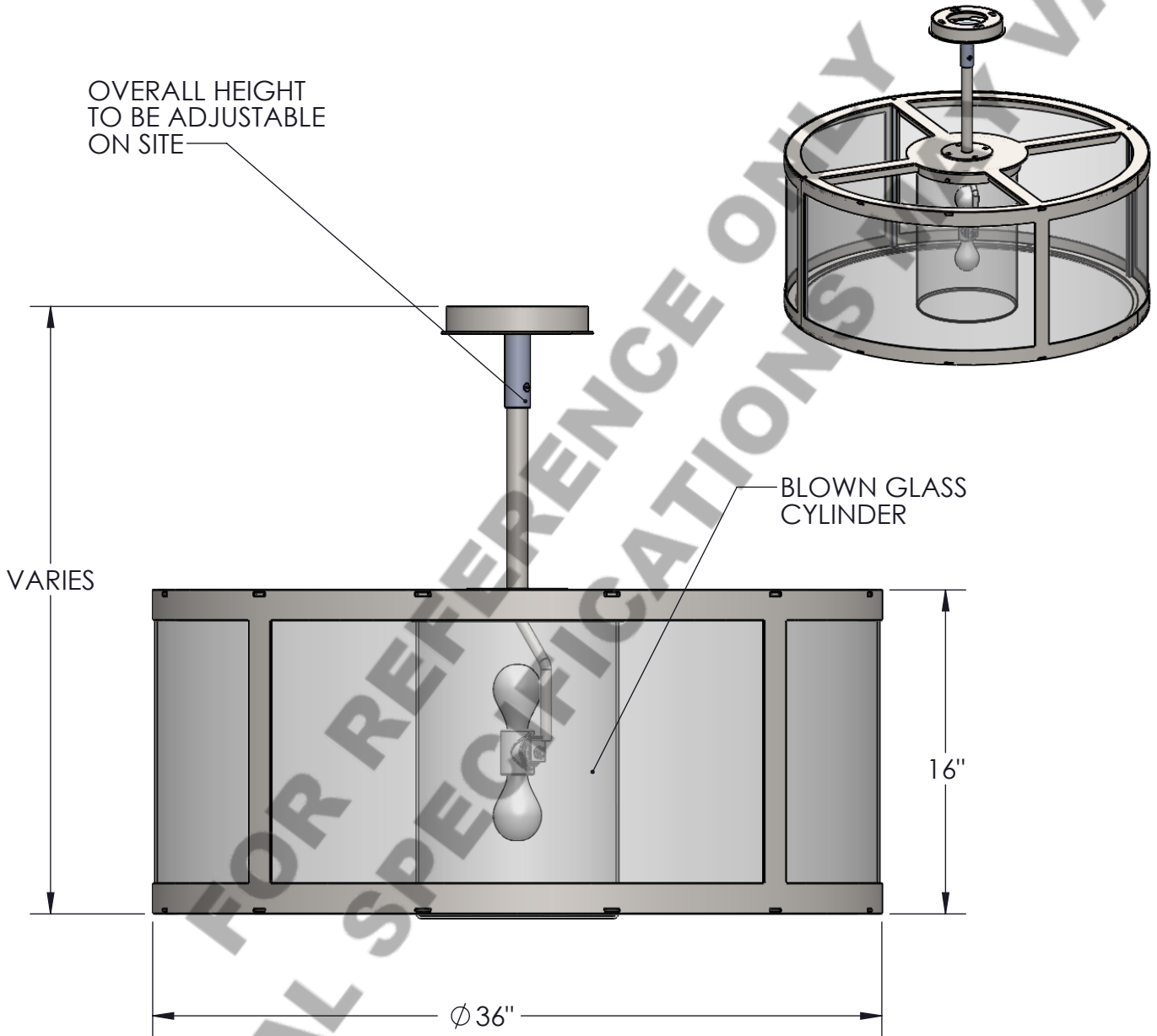


SPECIFICATION DRAWING

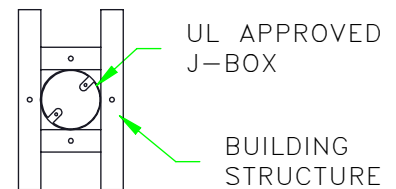
Product #: CH2294

Date:6/27/2016



Mounting Style:	Electrical Type:
Approximate lbs.: 92	Bulb Qty: 2 Wattage: 75
Finish: SEE WEBSITE FOR OPTIONS	Voltage: 120
Top Diffuser: CLOSED	Socket Type:MEDIUM
Bottom Diffuser: SAME AS LENS	UL Location: DRY

Mounting Detail



CAUTION
HARDWARE PACKET "A"
MOUNTS DIRECTLY TO BUILDING
STRUCTURE.

All fixtures created by Hammerton are handcrafted by artisans—dimensions may vary.

© Copyright 2015. All rights in design, detail or invention of this drawing are reserved as the property of Hammerton. Any imitation or adaptation without written consent is strictly prohibited.