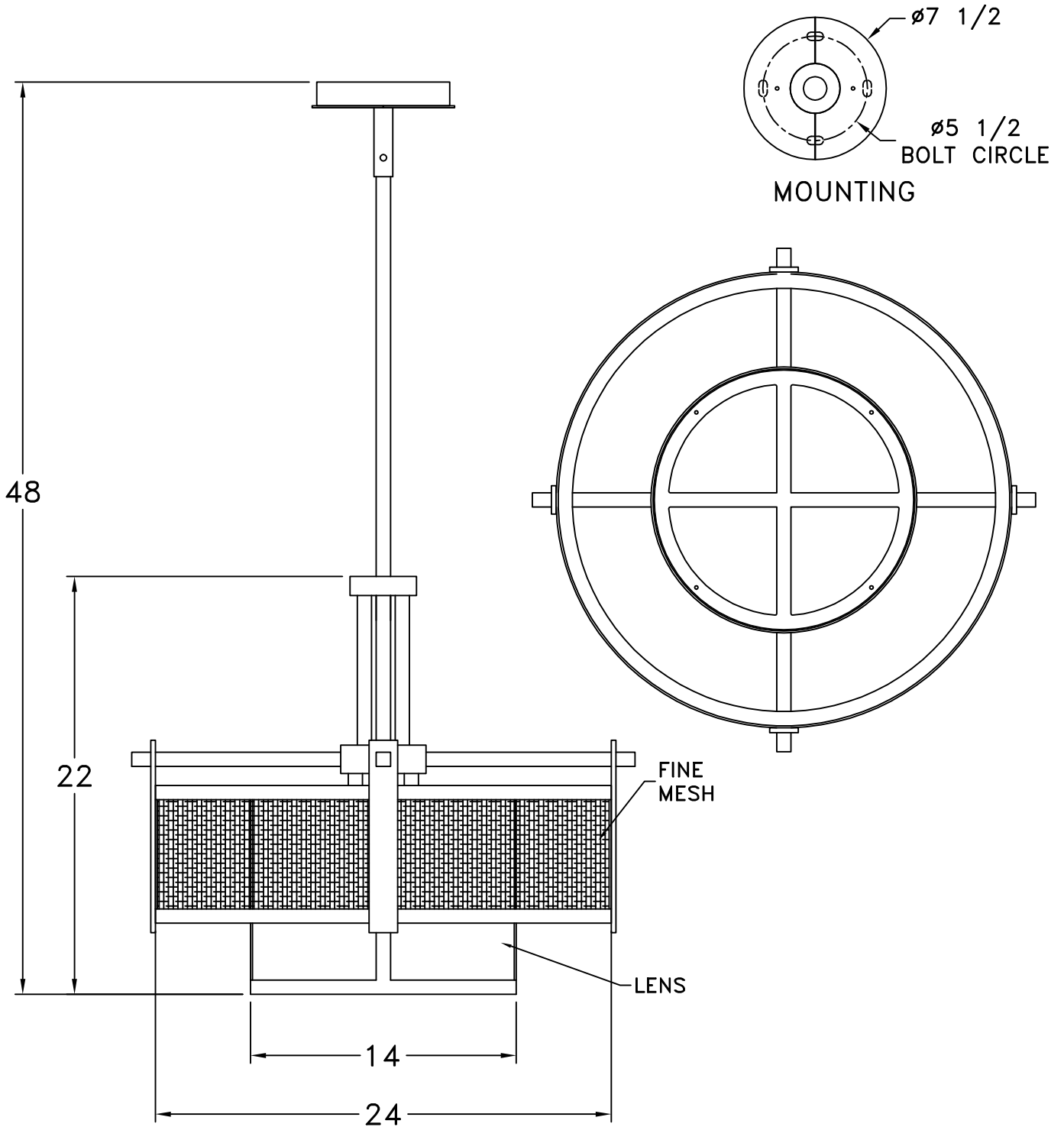


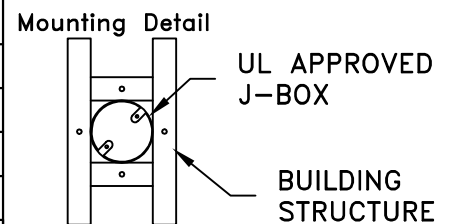
Location:

Product #: CH2266



Visit [hammerton.com](http://hammerton.com) for product options and specifications.

Mounting Style: FLAT	Electrical Type: INCANDESCENT
Approximate lbs.: 95	Bulb Qty: 4    Wattage: 60
Finish: SEE WEB SITE FOR OPTIONS	Voltage: 120
Top Diffuser: OPEN	Socket Type: MEDIUM
Bottom Diffuser: SAME AS LENS	UL Location: DRY



**CAUTION**

HARDWARE PACKET "A"  
MOUNTS DIRECTLY TO  
BUILDING STRUCTURE.

All fixtures created by Hammerton are handcrafted by artisans. Dimensions may vary up to  $\frac{7}{8}$ ".

©Copyright 2016. All rights in design, detail or invention of this drawing are reserved as the property of Hammerton. Any imitation or adaptation without written consent is strictly prohibited.