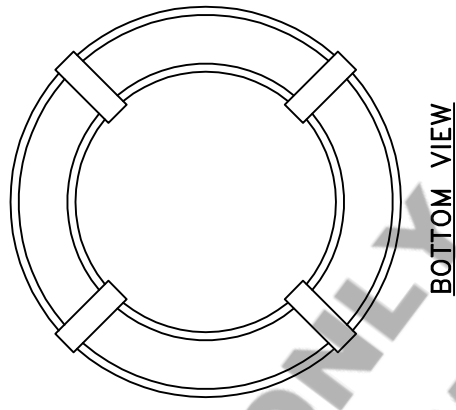
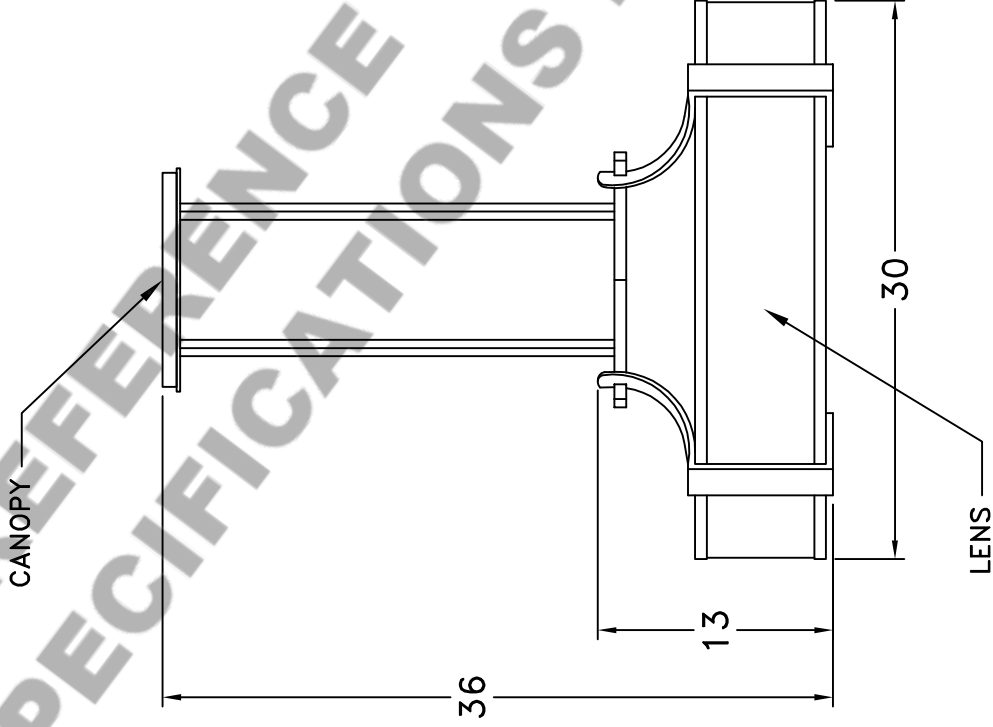
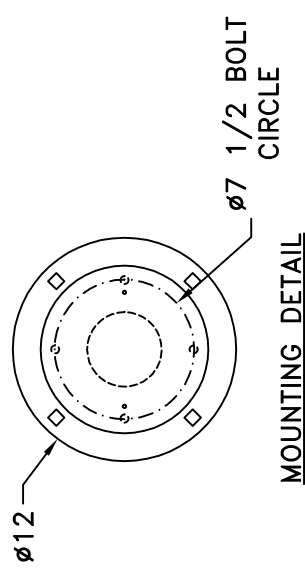


Location:

Product #: CH22261

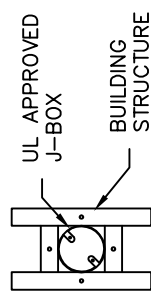


FOR REFERENCE ONLY SPECIFICATIONS MAY VARY

Visit hammerton.com for product options and specifications.

Mounting Style: A	Electrical Type: INCANDESCENT
Approximate lbs.: 200	Bulb Qty: 16 Wattage: 60
Finish: SEE WEB SITE FOR OPTIONS	Voltage: 120
Top Diffuser: OPEN	Socket Type: MEDIUM
Bottom Diffuser: SAME AS LENS	UL Location: DRY

Mounting Detail



CAUTION
HARDWARE PACKET "A"
MOUNTS DIRECTLY TO
BUILDING STRUCTURE.

All fixtures created by Hammerton are handcrafted by artisans. Dimensions may vary up to 1/8".

©Copyright 2016. All rights in design, detail or invention of this drawing are reserved as the property of Hammerton. Any imitation or adaptation without written consent is strictly prohibited.

Hammerton Inc. · 217 Wright Brothers Dr. · Salt Lake City, UT 84116 · (801) 973-8095