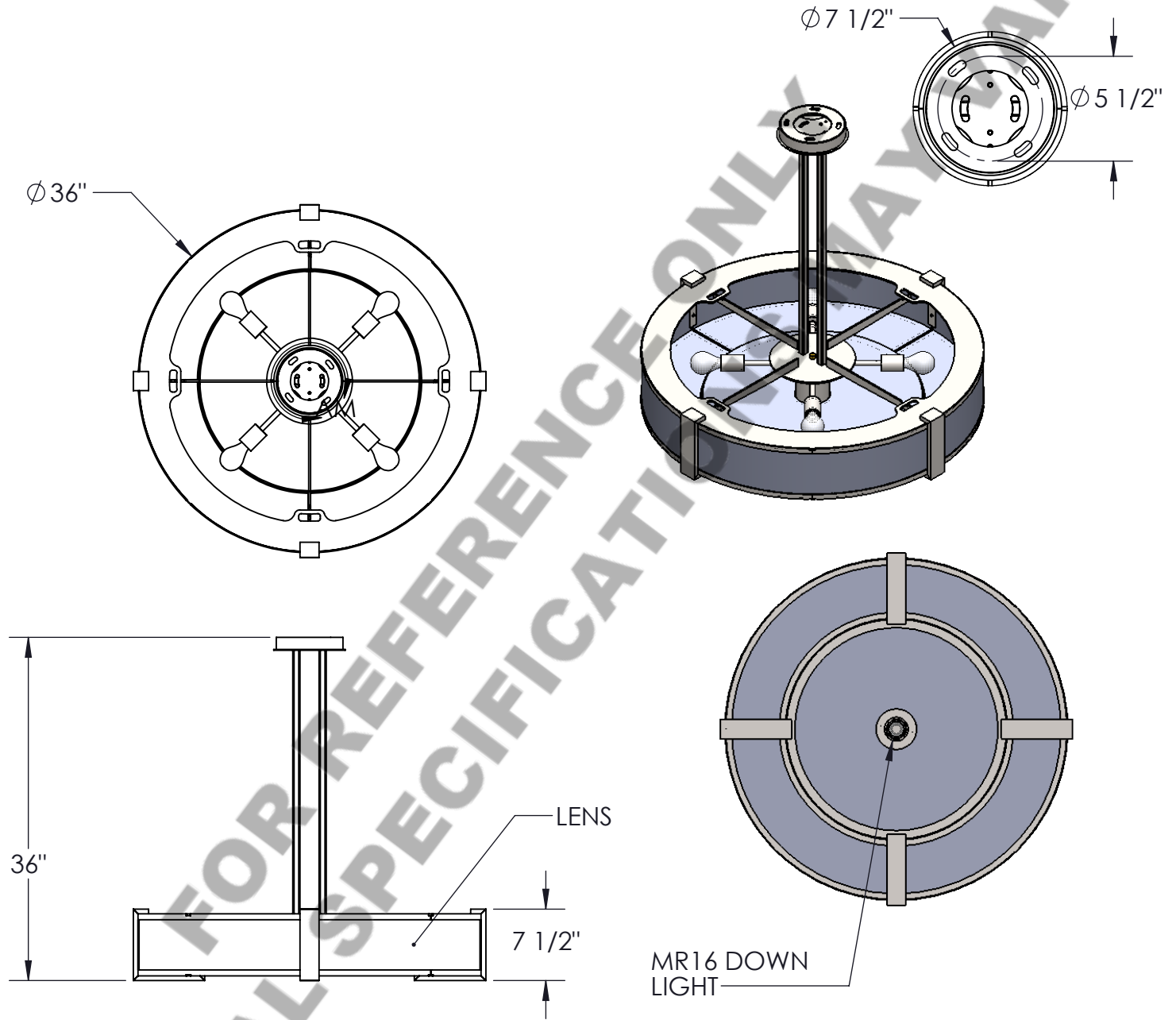


Approved By:

Product #: CH2257

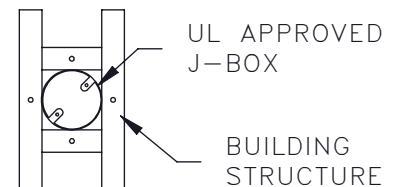
Date:10/17/2016



Mounting Style: A	Electrical Type: INCANDESCENT
Approximate lbs.: 157	Bulb Qty: 5 Wattage: 4X100
Finish: SEE WEBSITE FOR OPTIONS	Voltage: 120
Top Diffuser: OPEN	Socket Type: MEDIUM
Bottom Diffuser: SAME AS LENS	UL Location: DRY

Mounting Detail

1X35



All fixtures created by Hammerton are handcrafted by artisans—dimensions may vary.

© Copyright 2015. All rights in design, detail or invention of this drawing are reserved as the property of Hammerton. Any imitation or adaptation without written consent is strictly prohibited.

Hammerton Inc. 217 Wright Brothers Dr. Salt Lake City, UT 84146 (801) 973-8095

CAUTION
HARDWARE PACKET "A"
MOUNTS DIRECTLY TO BUILDING
STRUCTURE.