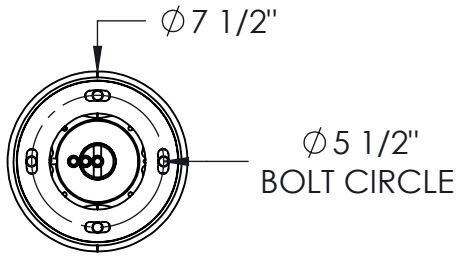


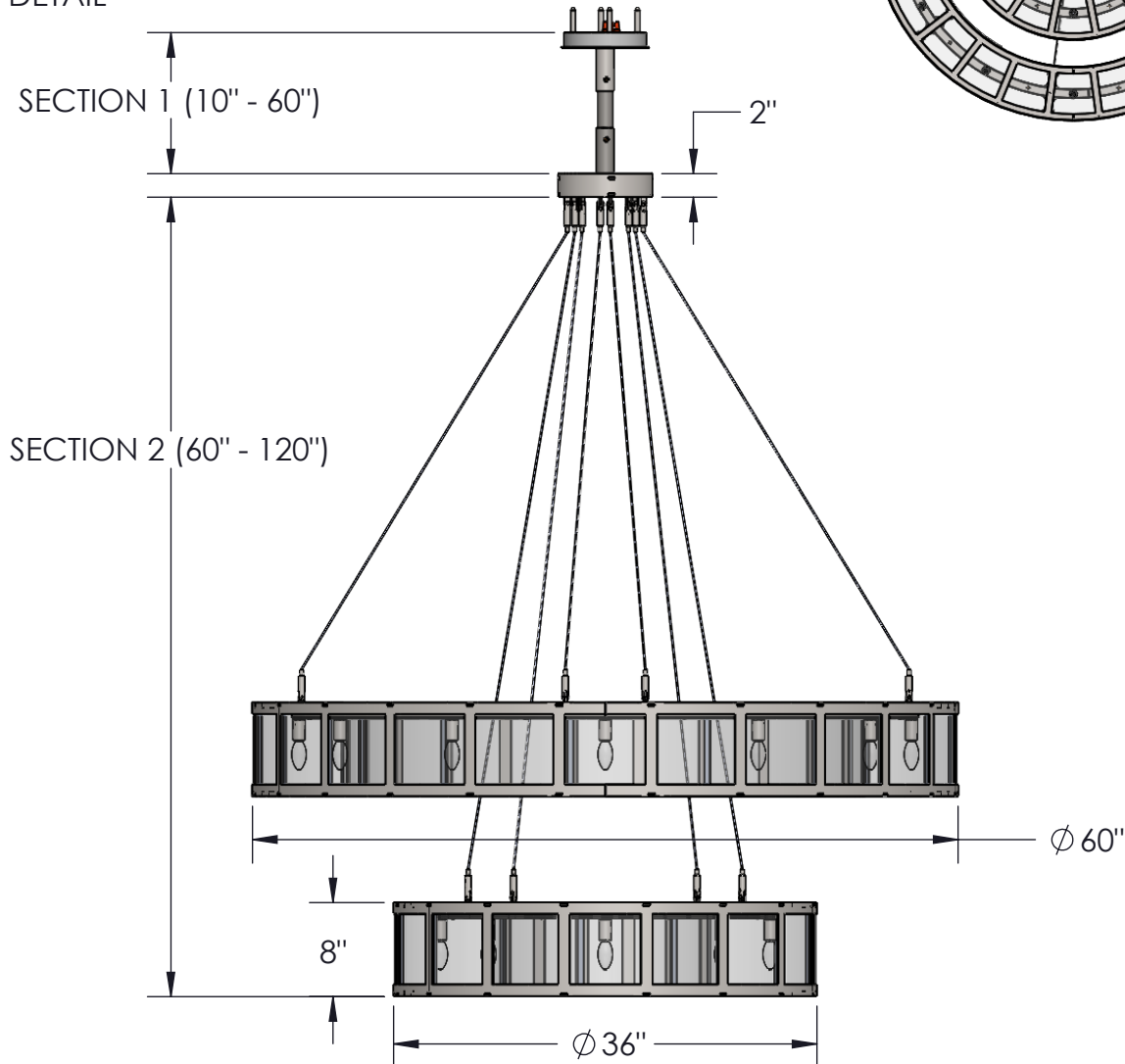
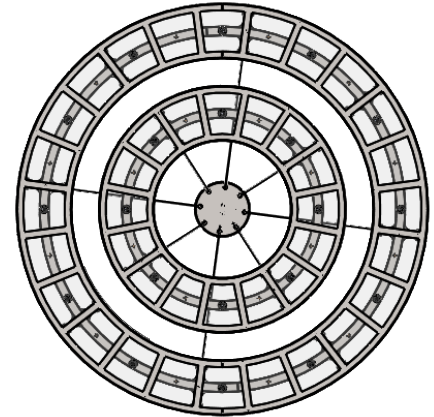
Approved By:

Product #: CH2249-L

Date: 12/5/2024



MOUNTING  
DETAIL



Mounting Style: FLAT

Electrical Type: LED RETROFIT

Mounting Detail

Approximate lbs.: 230

Bulb Qty: 18 Wattage: 13

Finish: SEE TRAVELER

Voltage: 120

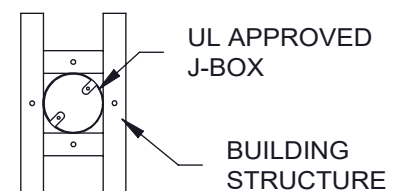
Top Diffuser: OPEN

Socket Type: E12 CANDELABRA

Bottom Diffuser: SAME AS LENS

UL Location: DRY

All fixtures created by Hammerton are handcrafted by artisans-dimensions may vary.



**CAUTION**

**HARDWARE PACKET "A"  
MOUNTS DIRECTLY TO BUILDING  
STRUCTURE.**

Copyright 2024. All rights in design, detail or invention of this drawing are reserved as the property of Hammerton. Any imitation or adaptation without written consent is strictly prohibited.

Hammerton Inc. 217 Wright Brothers Dr. Salt Lake City, UT 84116 (801) 973-8095