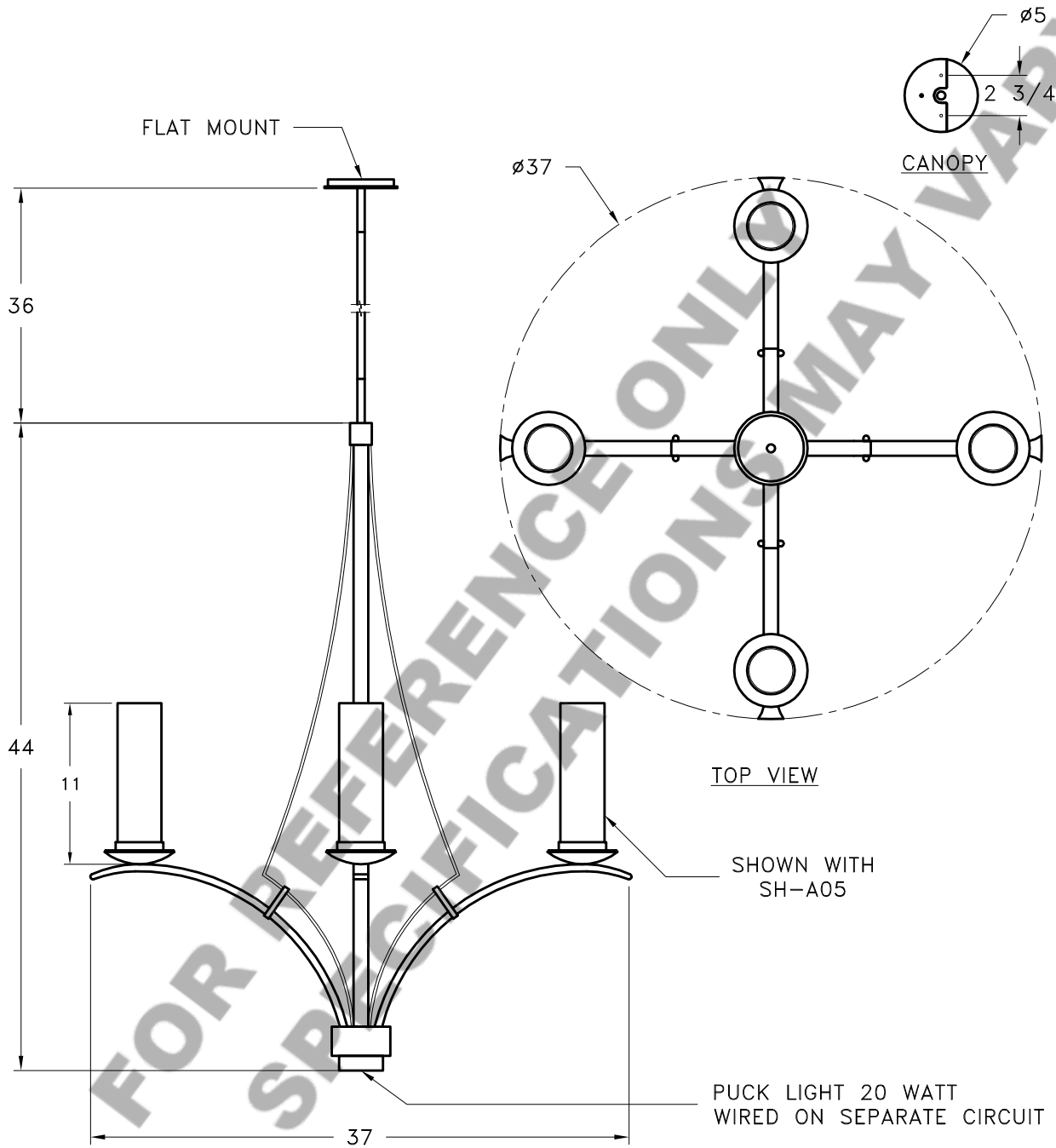


Location:

Product #: CH2054



Visit [hammerton.com](http://hammerton.com) for product options and specifications.

Mounting Style: J	Electrical Type: INCANDESCENT	Mounting Detail
Approximate lbs.: 35	Bulb Qty: 4 Wattage: SEE SHADE	<p>2 3/4 O.C.</p> <p>UL APPROVED J-BOX</p>
Finish: SEE WEB SITE FOR OPTIONS	Voltage: 120	
Top Diffuser: N/A	Socket Type: CANDELABRA	<p><b>CAUTION</b></p> <p>HARDWARE PACKET "J" MOUNTS DIRECTLY TO J-BOX.</p>
Bottom Diffuser: N/A	UL Location: DRY	
All fixtures created by Hammerton are handcrafted by artisans. Dimensions may vary up to 7/8".		
© Copyright 2013. All rights in design, detail or invention of this drawing are reserved as the property of Hammerton. Any imitation or adaptation without written consent is strictly prohibited.		
Hammerton Inc. · 217 Wright Brothers Dr. · Salt Lake City, UT 84116 · (801) 973-8095		